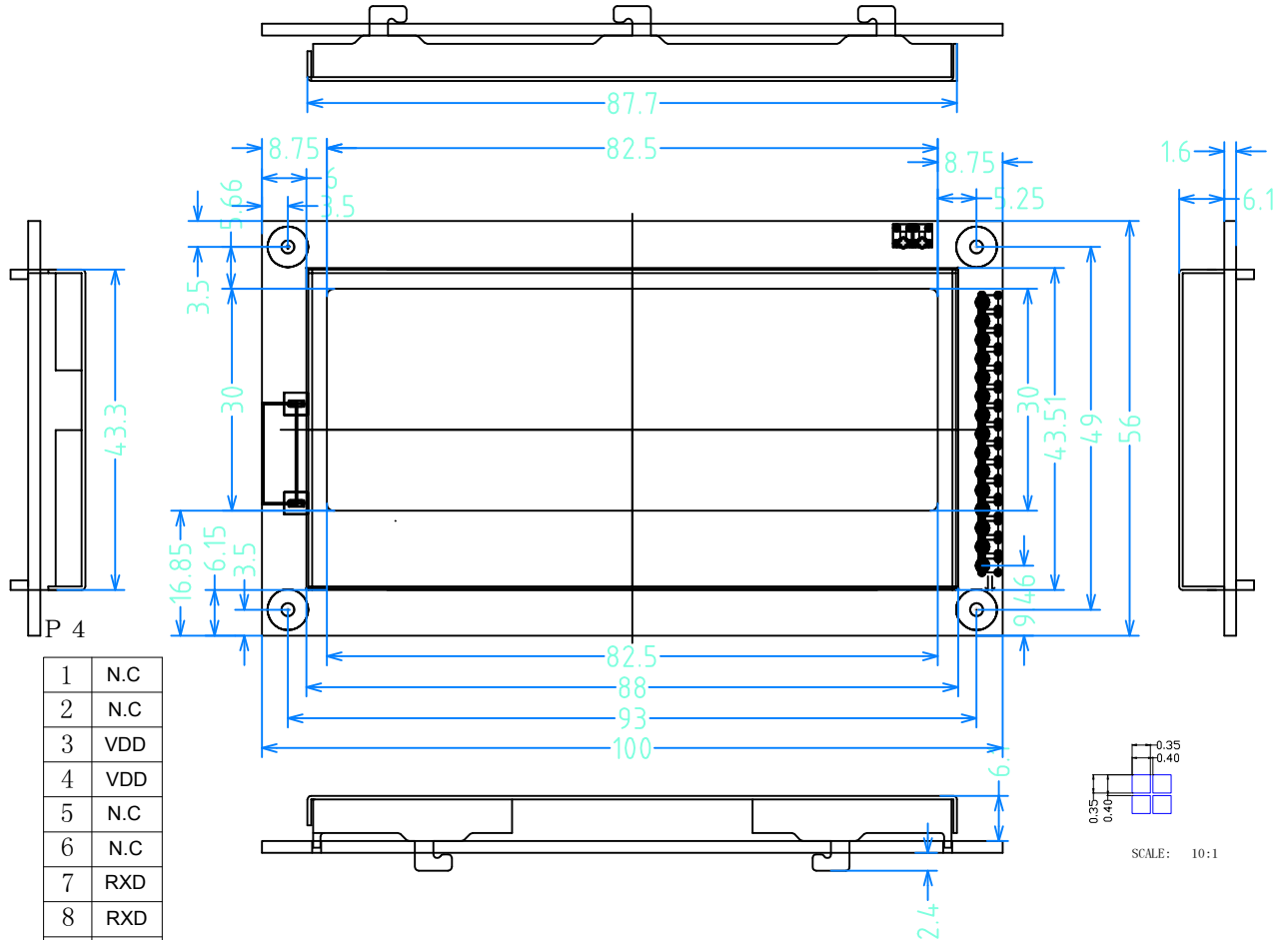


ZX19264M1A单页结构图



1	N.C
2	N.C
3	VDD
4	VDD
5	N.C
6	N.C
7	RXD
8	RXD
9	N.C
10	N.C
11	TXD
12	TXD
13	N.C
14	N.C
15	VSS
16	VSS
17	N.C
18	N.C

P1

PIN NO.	SIGNAL
1	KEY1
2	KEY2

P2,P3

PIN NO.	SIGNAL	PIN NO.	SIGNAL	PIN NO.	SIGNAL
1	VSS	7	BUSY	13	DB2
2	VDD	8	DB7	14	DB1
3	REQ	9	DB6	15	DB0
4	RST	10	DB5		
5	TXD	11	DB4		
6	RXD	12	DB3		

NOTE

- 1 DISPLAY TYPE : STN
- 2 VIEWING DIRECTION: 6 O' CLOCK
- 3 POLARIZER MODE : TRANSMISSIVE
- 4 DRIVE METHOD : 1/64DUTY 1/10BIAS
- 5 OPERATING VOLTAGE: 14.0V
- 6 LOGIC VOLTAGE : 3.0 V
- 7 CONTROLLER TEMP : ST5668A
- 8 OPERATING TEMP : -20° C----70° C
- 9 STORAGE TEMP : -30° C----80° C
- 10 BACK LIGHT : LED

版次 A	ZX19264M1A	SHR:	PLASTIC MAT'L CAVITY:
MODEL:	SHEET: 1 OF 1	UNIT:mm	SCALE:
DWG. NO.	MOLD NO.	DRAWING BY:	DATE: 2015-2-14
		CHECK BY:	APPROVED:

北京中显电子有限公司