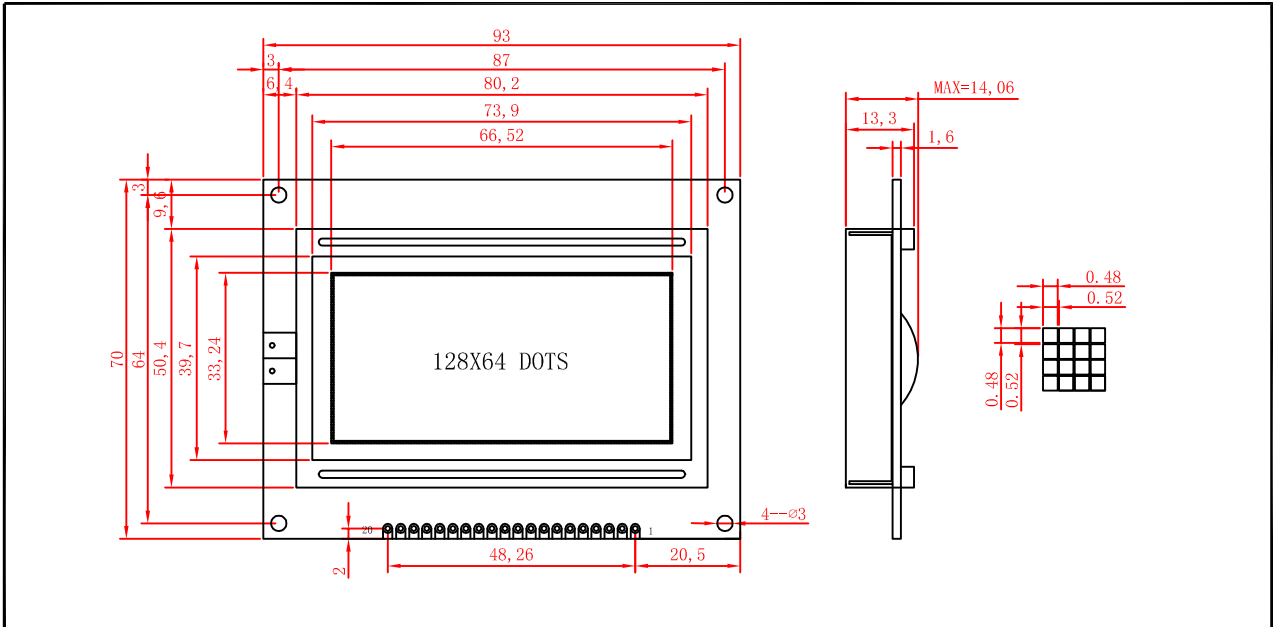
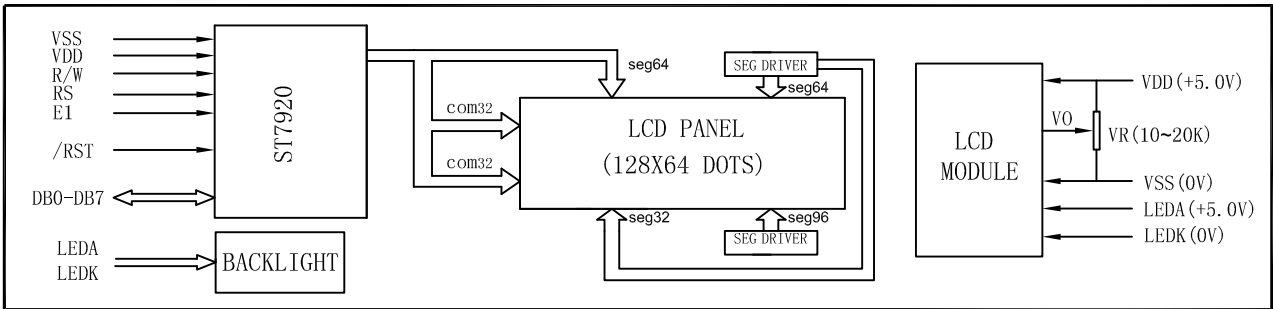


ZX12864R -1 Series

128X64 DOTS
1/64 DUTY,1/9 BIAS



BLOCK DIAGRAM & POWER SUPPLY



MECHANICAL SPECIFICATIONS & FEATURE

LTEM		NORMAL DIMENSIONS (MM)	FEATURE	
MODULE SIZE (W*H*T)		93.0 X 70.0 X 14.0	LCD TYPE	STN FSTN
VIEW AREA (W*H)		73.9 X 39.7	LCD COLOUR	STN:BLUE, GRAY FSTN:GRAY
DOTSXDOTS (W*H)		128 X 64	VIEW ANGLE	6 0° CLOCK, 12 0° CLOCK
DOT PITCH (W*H)		0.52 X 0.52	DISPLAY TYPE	POSITIVE TYPE, NEGATIVE TYPE
DOT SIZE (W*H)		0.48 X 0.48	REAR POLARIZER	TRANSMISSIVE, REFLECTIVE, TRANSFLECTIVE
---		---	OPERATING TEMPERATURE	-10°C ~ 60°C -20°C ~ 70°C
---		---	BACKLIGHT	LED:WHITE EL:GREEN, BLUE-GREEN, BLUE WITHOUT

ELECTRICAL CHARACTERISTICS

LTEM	SYMBOL	TEST CONDITION	MIN	TYP	MAX	UNIT
OPERATING VOLTAGE	VDD	Ta=25°C	---	5.0	---	V
OPERATING VOLTAGE FOR LCD	VLCD	Ta=25°C	---	9.0	---	V
SUPPLY CURRENT	IDD	Ta=25°C, VDD=5.0V	---	2.0	3.0	MA
SUPPLY CURRENT FOR BACKLIGHT	IF	Ta=25°C, VF=4.2V	---	300	---	MA

INTERFACE PIN CONNECTIONS

PIN NO	SYMBOL	LEVEL	DESCRIPTION
1	VSS	---	模块的电源地
2	VDD	---	模块的电源正端
3	VO	---	LCD驱动电压输入端
4	RS	H/L	并行指令/数据的选择信号;串行的片选信号
5	R/W	H/L	并行读写的选择信号;串行的数据口
6	E	H/L	并行的使能信号;串行的同步时钟
7-14	DB0-DB7	H/L	数据
15	PSB	H	并/串行接口选择: H:并口;L:串口
16	NC		
17	/RST	L	复位:低电平有效
18	VOUT	---	内部电压输出 (VDD=3.3V时)
19	LEDA	---	背光源正极
20	LEDK	---	背光源负极

REMARK

[Http://www.zxlcd.com](http://www.zxlcd.com)