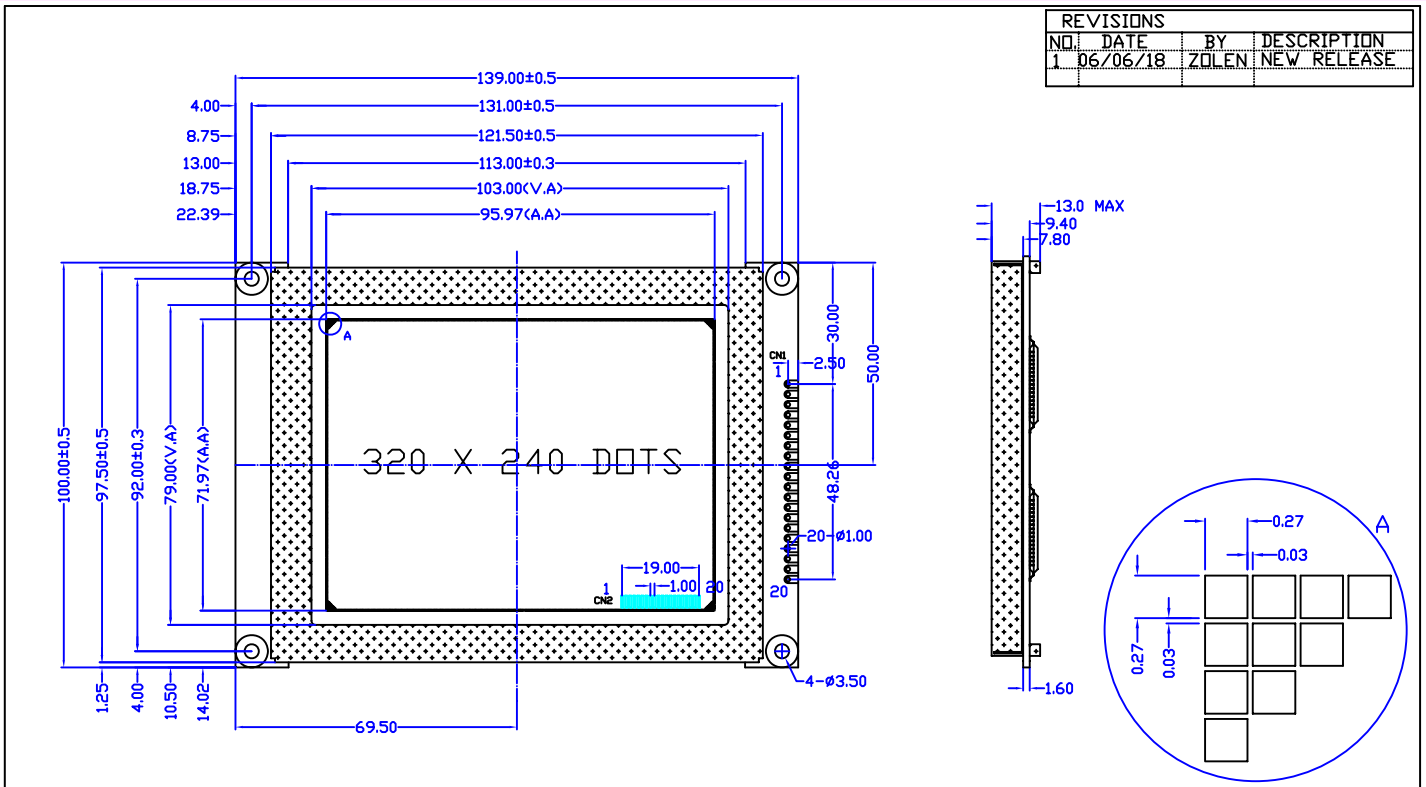


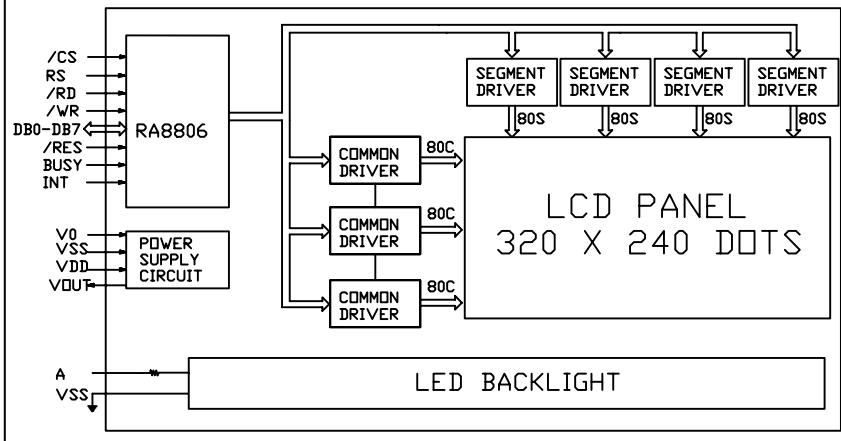
CUSTOMER'S APPROVED:

DATE:

REVISIONS			
NO.	DATE	BY	DESCRIPTION
1	06/06/18	ZOLEN	NEW RELEASE



Block Diagram



Feature

1. BUILT IN CONTROLLER: RA8806
2. POWER SUPPLY: 5.0V
3. LCD TYPE: BLUE STN, TRANSMISSIVE
4. BACKLIGHT: LED SIDE BACKLIGHT
5. COLOUR OF BACKLIGHT: WHITE
6. 1/240 DUTY CYCLE, 1/16 BIAS
7. VIEWING ANGLE: 6 O'CLOCK
8. TEMPERATURE RANGE: EXTENDED L (-20--70)
9. LOW CONSUMPTION, LOW VOLTAGE, HIGH CONTRAST

Mechanical Data

ITEM	SPECIFICATION	UNIT
OVERALL SIZE	139.0W x 100.0H x 13.0T	MM
VIEWING AREA	103.0W x 79.0H	MM
DOT NUMBER	320 x 240	DOTS
DOT SIZE	0.27W x 0.27H	MM
DOT PITCH	0.30W x 0.30H	MM

Pin Assignment

NO.	SYMBOL	
1	VSS	
2	VDD	+5V
3	V0	
4	RS	WRITE SIGNAL
5	/WR	
6	/RD	
7-14	DB0-DB7	
15	CS	CHIP SELECTION (LOW EFFECTIVE)
16	/RST	RESET SIGNAL (LOW EFFECTIVE)
17	VOUT	
18	BUSY	RA8806 BUSY SIGNAL
19	INT	RA8806 INTERRUPT SIGNAL
20	A	+5V LED BACKLIGHT POWER SUPPLY(+)

Absolute Maximum Rating

ITEM	SYMBOL	MIN	MAX	UNIT
POWER SUPPLY (LOGIC)	VDD-VSS	0	6.5	V
POWER SUPPLY (LCD DRV.)	VDD-V0	0	30.0	V
INPUT VOLTAGE	Vi	Vi	VDD	V

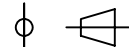
Electrical Characteristics

ITEM	SYMBOL	MIN	TYP	MAX	UNIT
VOLTAGE FOR LOGIC	VDD-VSS	4.75	5.0	5.25	V
SUPPLY CURRENT	IDD	-	12.0	-	mA
LCD OPERATING VOLTAGE	0C	-	26.2	-	V
	25C	-	25.4	-	V
	40C	-	24.4	-	V
INPUT VOLTAGE	H	0.7VDD	-	VDD	V
	L	VIL	0	0.3VDD	V

DESCRIPTION: C/D ZX320240C-H 北京中显电子有限公司

Drw wxy

DO NOT SCALE THIS DRAWING.



Unit:mm

Chk
Apv