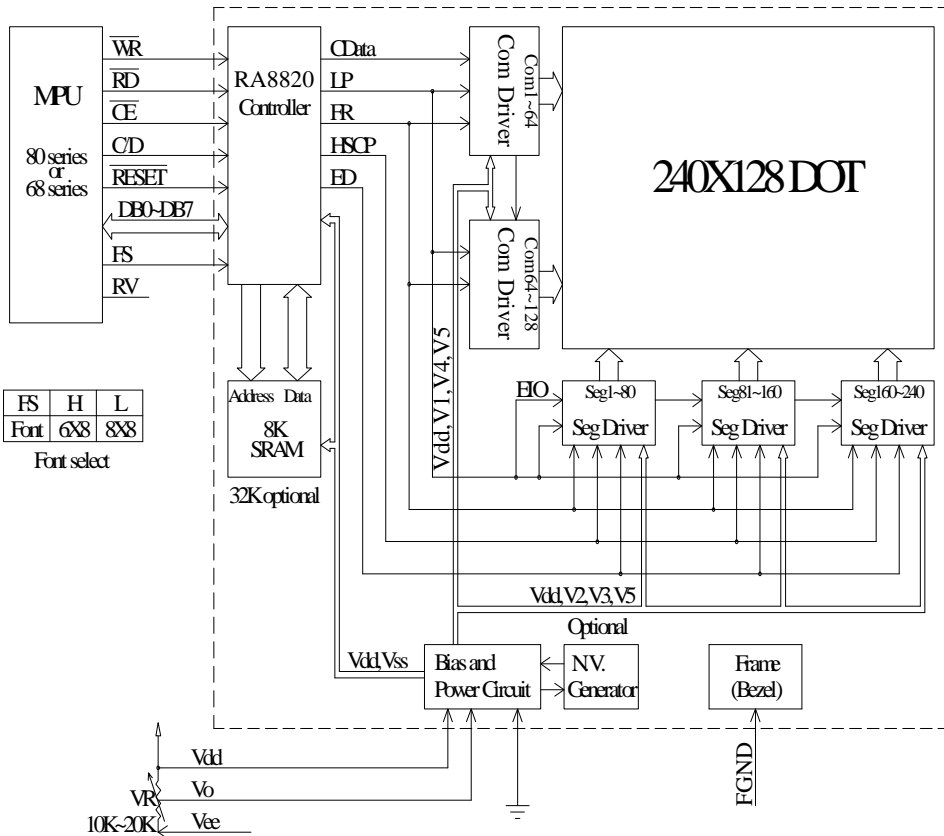
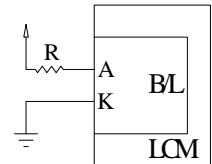


PIN NO.	SYMBOL
1	Vss
2	Vdd
3	Vo
4	C/D
5	RD
6	WR
7	DB0
8	DB1
9	DB2
10	DB3
11	DB4
12	DB5
13	DB6
14	DB7
15	CS
16	RESET
17	Vee
18	Busy
19	INT
20	A

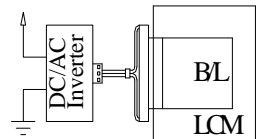
The non-specified tolerance of dimension is ±0.3 mm .



LEDB/L drive directly from A,K.



CCFL B/L drive directly from connector.



External contrast adjustment.