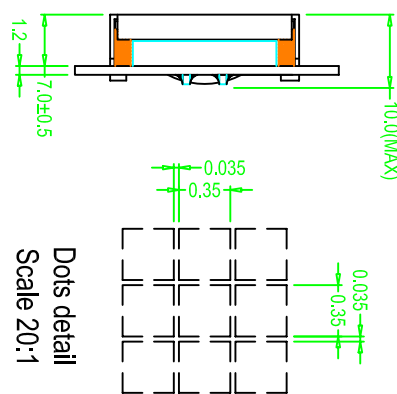
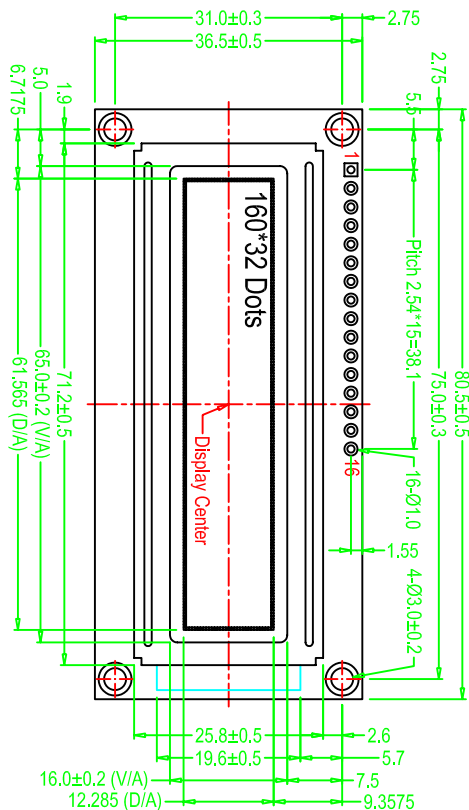
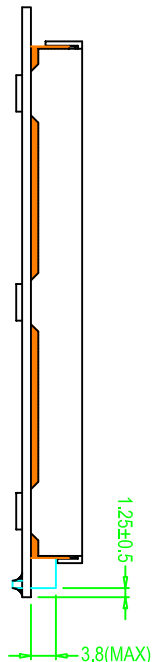


REV	DESCRIPTION	DATE
1.0	First Issue	



Dots detail
Scale 20:1



Pin connection	
Serial Interface	Parallel Interface
1 VSS	1 VSS
2 VDD	2 VDD
3 V0(NC)	3 V0(NC)
4 CS	4 RS
5 SID	5 RW
6 SCLK	6 E
7 NC	7 DB0
8 NC	8 DB1
9 NC	9 DB2
10 NC	10 DB3
11 NC	11 DB4
12 NC	12 DB5
13 NC	13 DB6
14 NC	14 DB7
15 BLA	15 BLA
16 BLK	16 BLK

SPECIFICATION:

1. LCD Type: STN-Blue
2. Polarizer Type: Transmissive, Negative
3. Viewing Angle: 120 Clock
4. Driving Method: 1/32 Duty, 1/6 Bias
5. LCD Controller/Driver: ST7920 / ST7921
6. LCM Operating Voltage: 2.7V~5.0V
7. Backlight: 3 Dice LED, White, If=45mA, Vf=3.1±0.2V
8. Operating Temp.: -20 to +70 C°; Storage Temp.: -30 to +80 C°

北京中显电子有限公司 www.zxlcd.com 010-82626833

Module Number: RS16032-1L-SBLW

NAME	DATE	THIRD ANGLE P.
APPROVE		
CHECK		
DESIGN		
DRAWN		
		UNIT mm
		SCALE 1:1