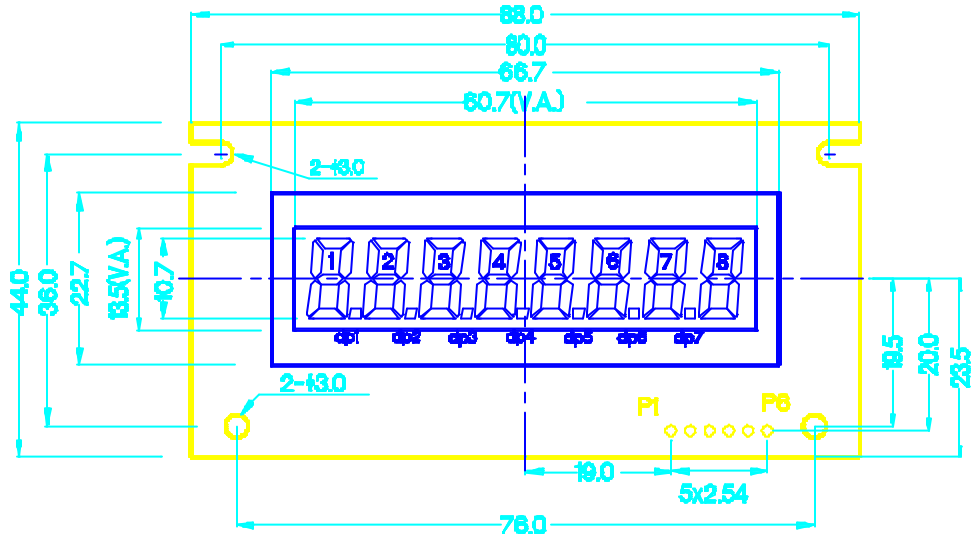


EDM002A

(8-bit serial input segmented LCD module)

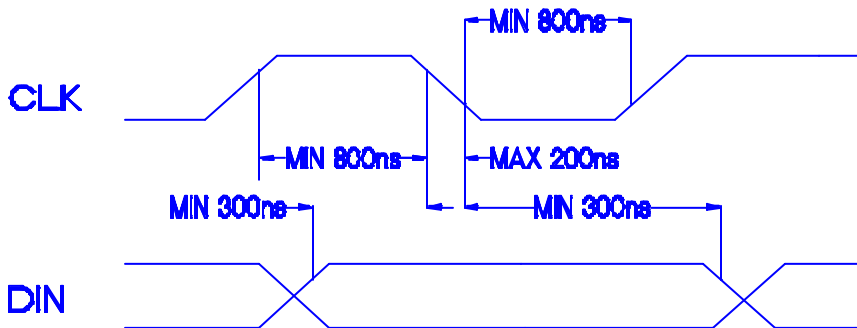
1. Dimensional Outline



2. Interface table

| Pin Symbol | Name | Description |
|------------|------|--------------------|
| P1, P2 | GND | Ground |
| P3 | CLK | Serial clock input |
| P4, P5 | VDD | Power supply: +5V |
| P6 | DIN | Serial data input |

3. Timing diagram



4. Data address and data input

| DIGIT 1 | | | | | | | | | | DIGIT8 | | | | | | | | |
|---------|----|----|----|----|----|----|----|---|----|--------|----|----|----|----|----|----|---|-----|
| D7 | D6 | D5 | D4 | D3 | D2 | D1 | D0 | ← | D7 | D6 | D5 | D4 | D3 | D2 | D1 | D0 | ← | Din |
| dp1 | g1 | f1 | e1 | d1 | c1 | b1 | a1 | ← | / | g8 | f8 | e8 | d8 | c8 | b8 | a8 | ← | Din |