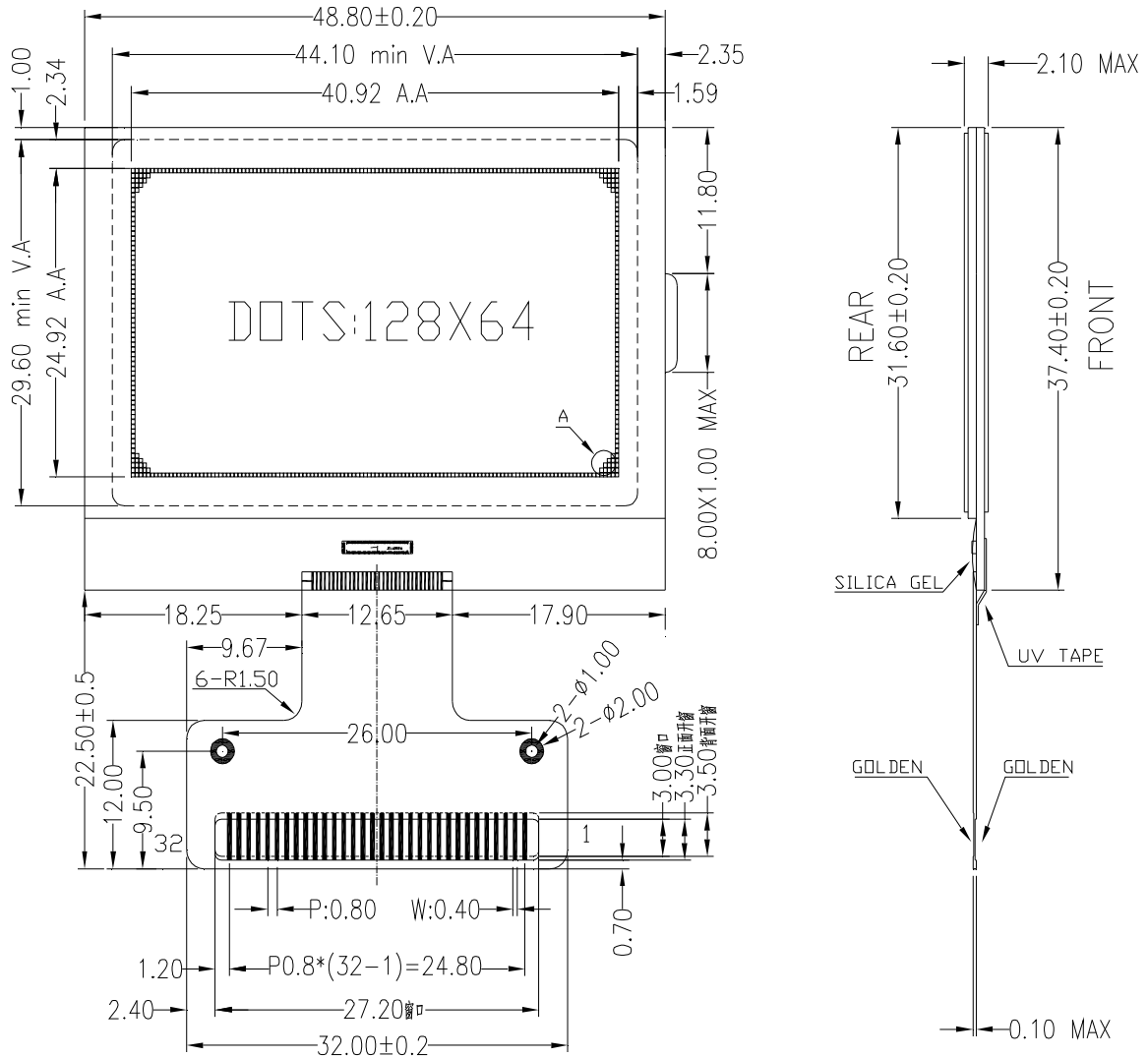


# 4. MECHANICAL DIMENSION



模块接口定义:

PIN	1	2	3	4	5	6	7	8	9	10	11	12	13	14	15	16
DESC	IRS	/HPM	PSB	C86	VR	V0	V1	V2	V3	V4	CAP4+	CAP2-	CAP2+	CAP1+	CAP1-	CAP3+
PIN	17	18	19	20	21	22	23	24	25	26	27	28	29	30	31	32
DESC	VOUT	VSS	VDD	D7	D6	D5	D4	D3	D2	D1	D0	R/D	WR	AO	/RES	/CS

DISPLAY TYPE: FSTN/POSITIVE  
 POLARIZER: TRANFLECTIVE  
 VIEWING DIRECTION: 6:00-CLOCK  
 DRIVE METHOD: 1/65DUTY,1/9BIAS  
 LCM OPERATING VOLTAGE: 3.0v  
 LCD OPERATING VOLTAGE: 8.6 TO 9.0v(MAX)  
 OPERATING TEMP: -20 TO 70 Deg.C  
 STORAGE TEMP: -30 TO 80 Deg.C  
 UNSIGNED TOLERANCE: ±0.20

