

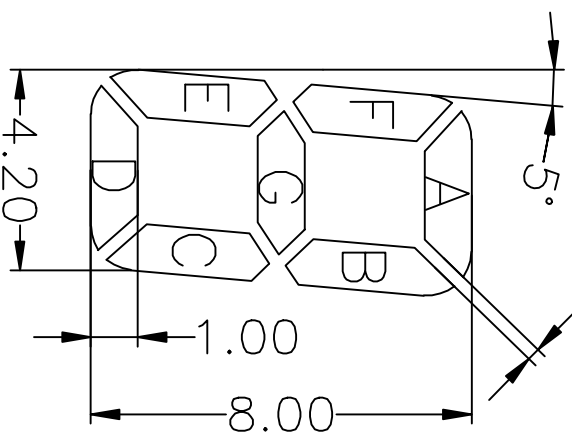
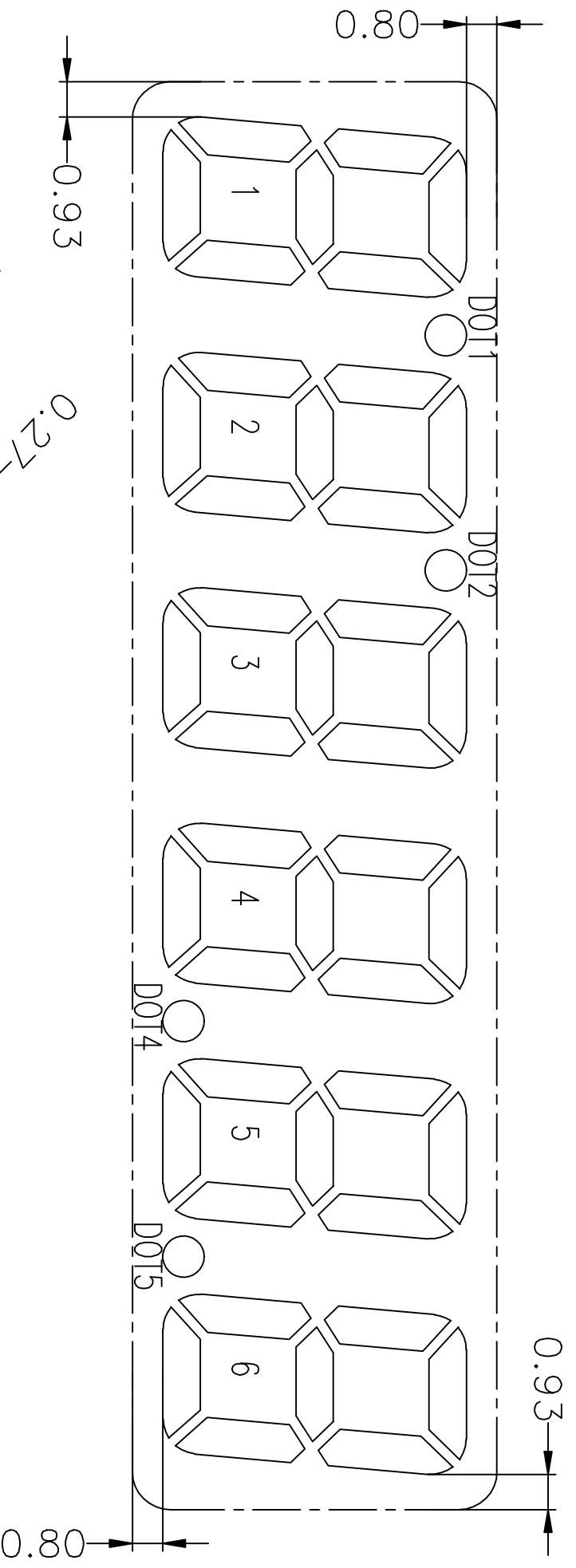
VIEWING DIRECTION



**NOTE**

- 1 TOLARENCES UNLESS OTHERWISE SPECIFIED: ±0.2
- 2 ALL DIMENSIONS ARE IN mm
- 3 VIEWING ANGLE: 6 O'CLOCK
- 4 POLARIZER: REFLECTIVE, POSITIVE
- 5 MULTIPLEX LEVEL: 1/4 DUTY, 1/3 BIAS
- 6 LCD DRIVING VOLTAGE(Vop):3.0V
- 7 OPERATING TEMP.: -30°C TO 70°C
- 8 STORAGE TEMP.: -40°C TO 80°C
- 9 DISPLAY TYPE: TN
- 9 CONNECTOR: PIN

北京中显电子有限公司		www.zxlcd.com		010-82626833, 82533328	
<b>DESIGN MODEL</b>			<b>EDS826V1</b>		
VAR.	A	DATE	2011.08.11		
CUSTOMER MODEL		APPROVED BY	SY ZHAO		
		CHECKED BY	SY ZHAO		
PAGE	1/3	DRAWN BY	LI WANG		



**DALIAN GOOD DISPLAY CO.,LTD**

**DESIGN MODEL**

**EDS826V1**

**VAR. A**

**DATE 2011.08.11**

**CUSTOMER MODEL**

**APPROVED BY SY ZHAO**

**CHECKED BY SY ZHAO**

**PAGE 2/3**



**DRAWN BY**

**LJ WANG**

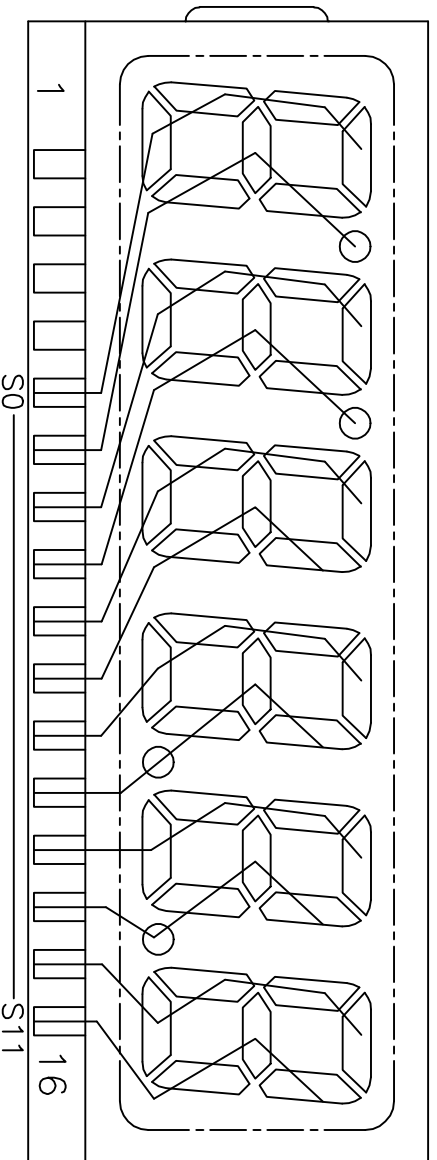
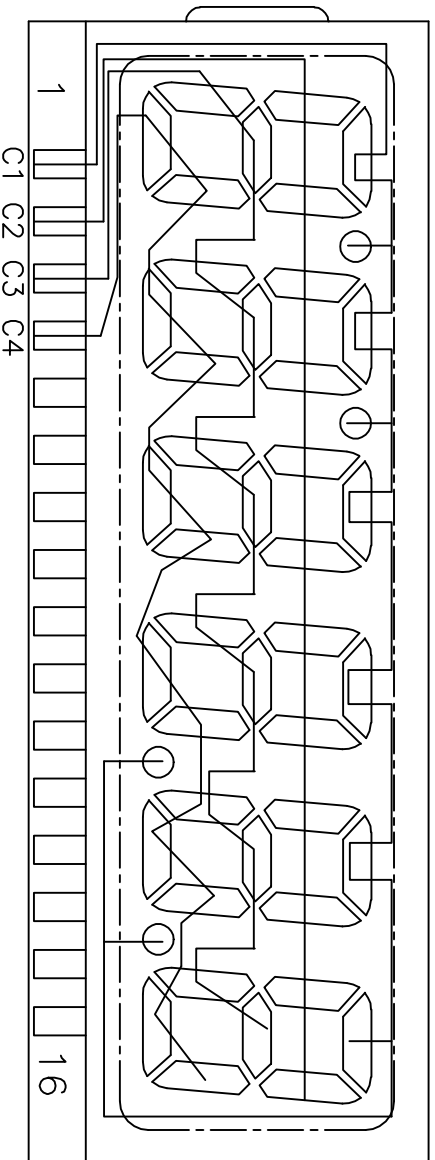
已确认此版本的所有图纸

签名: \_\_\_\_\_ 日期: \_\_\_\_\_

REV.

DESCRIPTION

DATE



COM

PIN	1	2	3	4	5	6	7	8
COM0	COM0				1A	DOT1	2A	DOT2
COM1		COM1			1F	1B	2F	2B
COM2			COM2		1E	1G	2E	2G
COM3				COM3	1D	1C	2D	2C
PIN	9	10	11	12	13	14	15	16
COM0	3A		4A	DOT4	5A	DOT5	6A	
COM1	3F	3B	4F	4B	5F	5B	6F	6B
COM2	3E	3G	4E	4G	5E	5G	6E	6G
COM3	3D	3C	4D	4C	5D	5C	6D	6C

SEG



DALIAN GOOD DISPLAY CO.,LTD

DESIGN MODEL EDS0826V1

VAR. A DATE 2011.08.11

CUSTOMER MODEL APPROVED BY SY ZHAO

CHECKED BY SY ZHAO

PAGE 3/3 DRAWN BY LJ WANG

