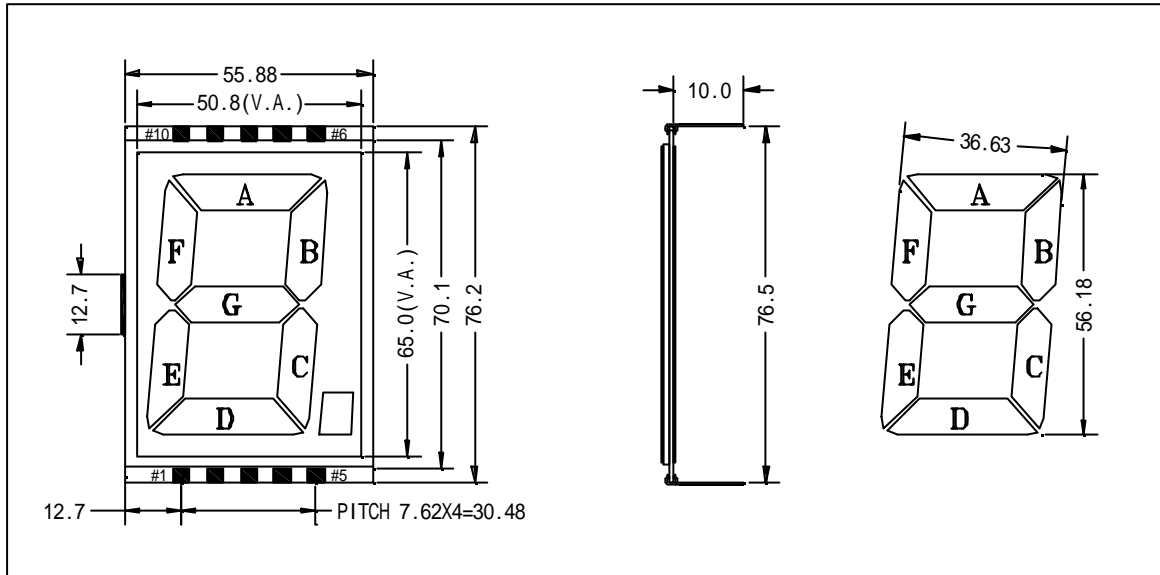


## 1.0 External Dimensions



## 2.0 Logic

PIN#	1	2	3	4	5	6	7	8	9	10
SYM.	COM	E	D	C	DP	G	B	A	F	COM