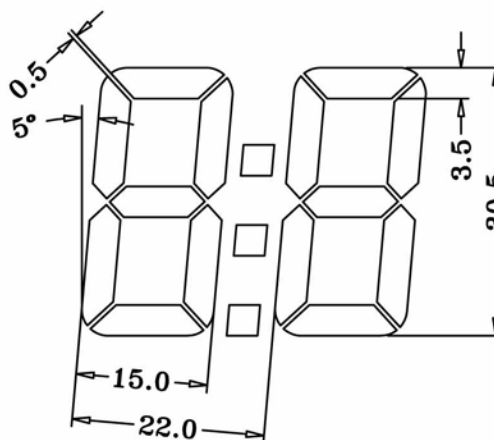


NOTE

- 1 TOLERANCES UNLESS OTHERWISE SPECIFIED: ± 0.25
- 2 ALL DIMENSIONS ARE IN mm
- 3 VIEWING ANGLE: 6 O'CLOCK
- 4 POLARIZER: TRANSMISSIVE/POSITIVE
- 5 DRIVE METHOD: STATIC
- 6 LCD DRIVING VOLTAGE: 5.0V
- 7 OPERATING TEMP.: $-20^{\circ}\text{C}\sim 70^{\circ}\text{C}$
STORAGE TEMP.: $-30^{\circ}\text{C}\sim 80^{\circ}\text{C}$
- 8 DISPLAY TYPE: TN
- 9 CONNECTOR: PIN
- 10 GLASS THICKNESS: FRONT:1.1 BACK:1.1

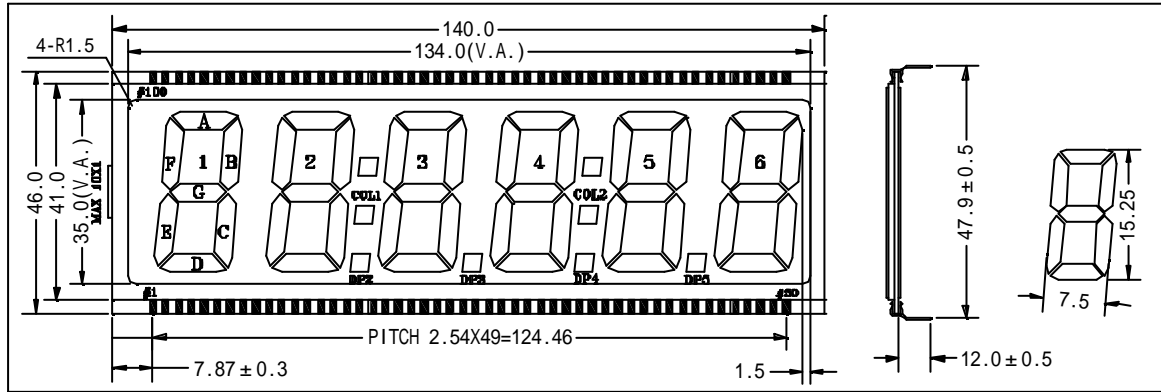


北京中显电子有限公司 www.zxlcd.com 010-82626833,82533328

Dalian Good Display Co.,Ltd			
DESIGN MODEL		EDS825	
VAR.	A	DATE	2007.04.03
CUSTOMER MODEL		APPROVED BY	SY ZHAO
		CHECKED BY	QI HC
PAGE 1/1		DRAWN BY	WANG LIJING

EDS825

1.0 External Dimensions



2.0 Logic

PIN#	1,2	3,4	5,6	7,8	9,10	11,12	13,14	15,16	17,18	19,20	21,22	23,24	25,26	27,28
SYM.	COM	E1	D1	C1	DP1	E2	D2	C2	DP2	E3	D3	C3	DP3	E4
PIN#	29,30	31,32	33,34	35,36	37,38	39,40	41,42	43,44	45,46	47,48	49,50	51,52	53,54	55,56
SYM.	D4	C4	DP4	E5	D5	C5	DP5	E6	D6	C6	B6	A6	F6	G6
PIN#	57,58	59,60	61,62	63,64	65,66	67,68	69,70	71,72	73,74	75,76	77,78	79,80	81,82	83,84
SYM.	B5	A5	F5	G5	COL2	B4	A4	F4	G4	B3	A3	F3	G3	COL1
PIN#	85,86	87,88	89,90	91,92	93,94	95,96	97,98	99,100						
SYM.	B2	A2	F2	G2	B1	A1	F1	G1						