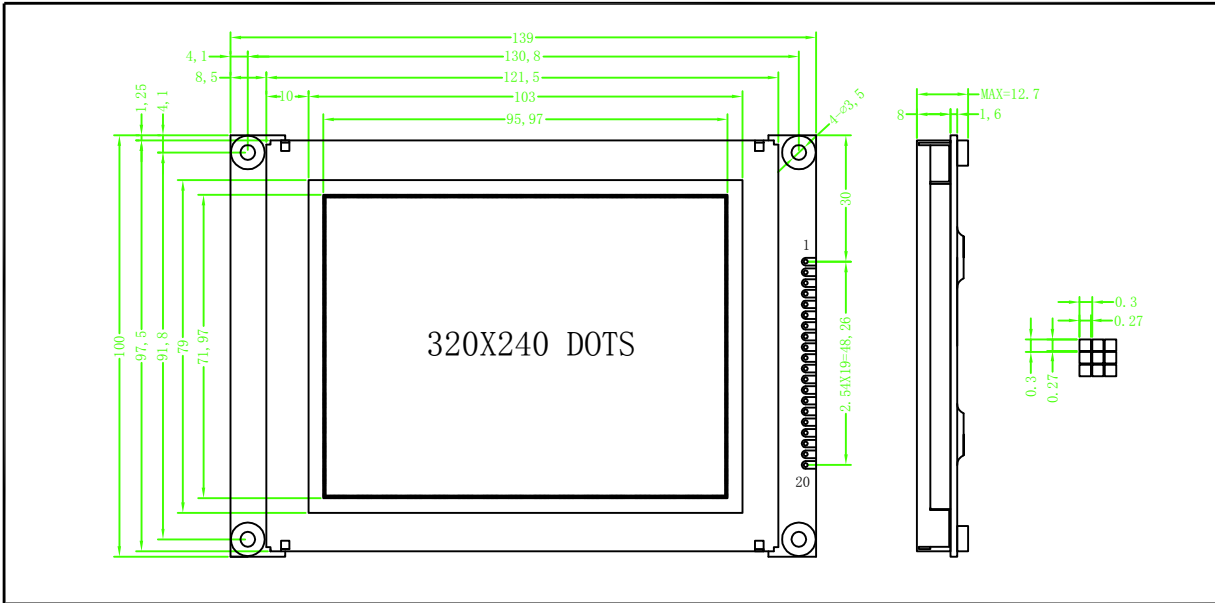
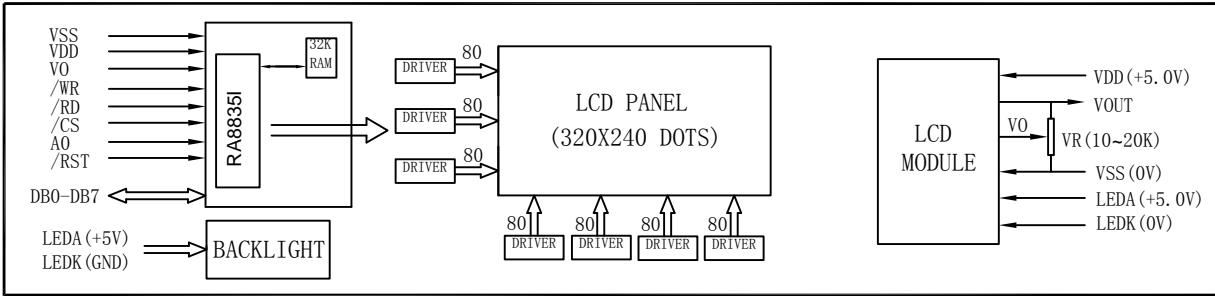


OUTLINE DIMENSIONS



BLOCK DIAGRAM & POWER SUPPLY



MECHANICAL SPECIFICATIONS & FEATURE

LTEM	NORMAL DIMENSIONS (MM)	FEATURE	
MODULE SIZE (W*H*T)	139.0 X 100.0 X 12.7	LCD TYPE	STN FSTN
VIEW AREA (W*H)	103.0 X 79.0	LCD COLOUR	STN:BLUE, GRAY FSTN:GRAY
DOTSXDOTS (W*H)	320 X 240	VIEW ANGLE	6 O' CLOCK, 12 O' CLOCK
DOT PITCH (W*H)	0.30 X 0.30	DISPLAY TYPE	POSITIVE TYPE, NEGATIVE TYPE
DOT SIZE (W*H)	0.27 X 0.27	REAR POLARIZER	TRANSMISSIVE, REFLECTIVE, TRANSFLECTIVE
---	---	OPERATING TEMPERATURE	-40°C 到 +75°C
WORKING TEMPERATURE	-40° C 到 +70° C	BACKLIGHT	LED:WHITE EL:GREEN, BLUE-GREEN, BLUE WITHOUT

ELECTRICAL CHARACTERISTICS

LTEM	SYMBOL	TEST CONDITION	MIN	TYP	MAX	UNIT
OPERATING VOLTAGE	VDD	Ta=25°C	---	5.0	---	V
OPERATING VOLTAGE FOR LCD	VLCD	Ta=25°C	---	23.0	---	V
SUPPLY CURRENT	IDD	Ta=25°C, VDD=5.0V	---	35.0	40.0	MA
SUPPLY CURRENT FOR BACKLIGHT(LED)	IF	Ta=25°C, VF=3.2V	---	210	---	MA

INTERFACE PIN CONNECTIONS

PIN NO	SYMBOL	LEVEL	DESCRIPTION
1	VSS	---	GROUND FOR LOGIC
2	VDD	---	POWER SUPPLY FOR LOGIC
3	VO	---	POWER SUPPLY FOR LCD DRIVE
4	/WR	H/L	WRITE SIGNAL
5	/RD	H/L	READ SIGNAL
6	/CS	L	CHIP SELECTION
7	A0	H/L	DATA TYPE SELECTION
8	/RST	L	RESET SIGNAL
9-16	DB0-DB7	H/L	DATA BUS LINES
17	NC	---	NO CONNECTION
18	VOUT	---	NEGATIVE VOLTAGE OUTPUT
19	LEDA(+5V)	---	POWER SUPPLY FOR BACKLIGHT(+)
20	LEDK(GND)	---	POWER SUPPLY FOR BACKLIGHT(-)

REMARK