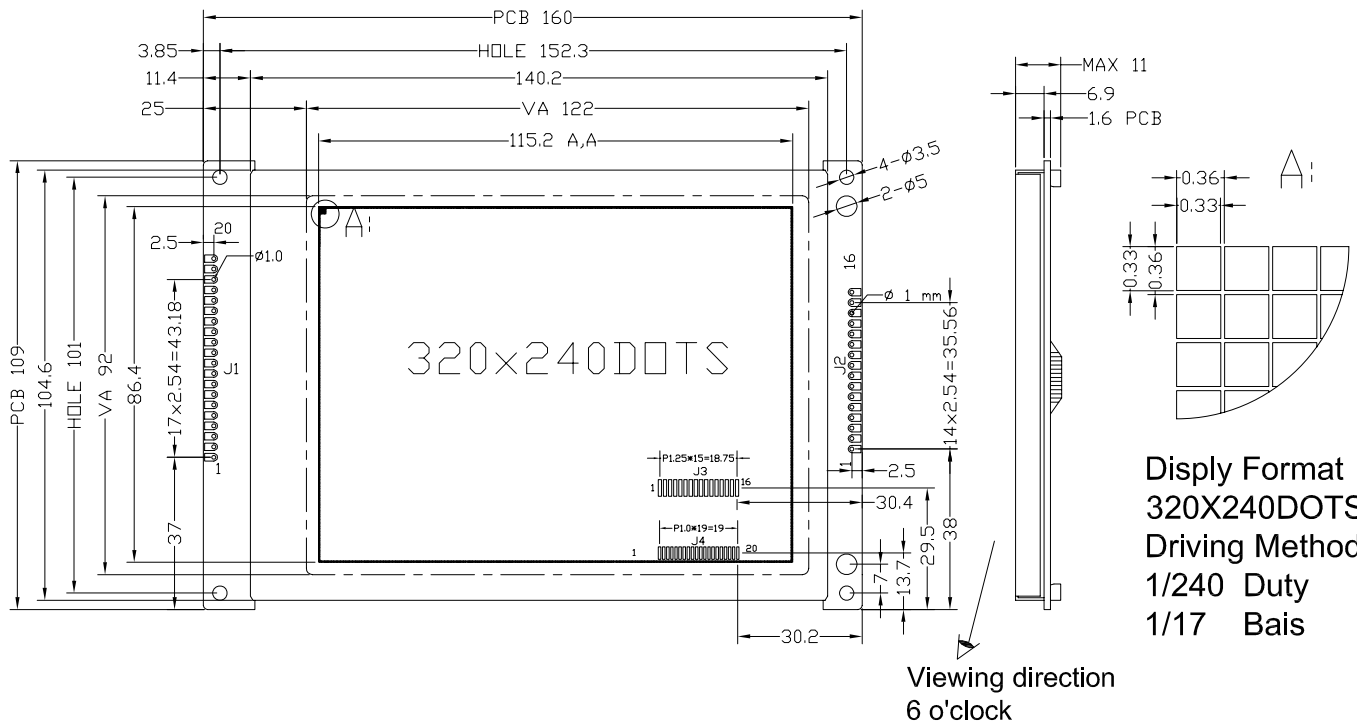


① PHYSICAL DIMENSION



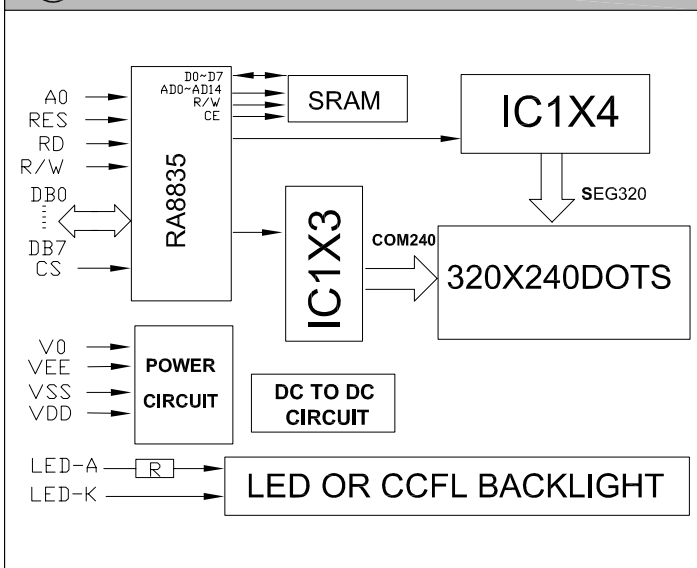
② MECHANICAL DATA

ITEM	SPECIFICATION	UNIT
Module Size With B/L (W X H X T)	160X109X11.0	mm
Viewing Area (W X H)	122X92	mm
Number of Dots (W X H)	320X240	dots
Dot Pitch (W X H)	0.36X0.36	mm
Dot Size (W X H)	0.33X0.33	mm
Weight		g

③ PIN CONFIGURATION

ITEM	J1/J3	DESCRIPTION(带控制器)	J2/J4	DESCRIPTION(不带控制器)
1	VSS	Power Ground	D0	Data bus [0~3]. There state I/O common terminal.
2	VDD	Power Positive		
3	V0	Negative Volt Adjust		
4	WR	Write Signal	D3	
5	RD	Read Signal	DISP	Display ON/OFF
6	/CS	Chip Select	FLM	Frame signal
7	A0	H:Instruction Code L:Data	M	Alternate signal for LCD
8	/RES	Reset Signal	LP	Data Latch Pulse
9	DB0	Data bus [0~7]. There state I/O common terminal.	CP	Data shift Pulse
10			VDD	Power Positive
11			VSS	Power Ground
12			VEE	Negative Volt Output
13			V0	Negative Volt Adjust
14			FG	Frame Ground
15			LED-A	Backlight Anode(+5V)
16	DB7		LED-K	Backlight Cathode(0V)
17	LED-A/ANC	Backlight Anode/No connect		
18	VEE	Negative Volt Supply		
19	LED-A	Backlight Anode(+5V)		
20	LED-K	Backlight Cathode(0V)		

④ BLOCK DIAGRAM



⑤ ABSOLUTE MAXIMUM RATINGS (25°C)

PARAMETER	SYMBOL	MIN.	MAX.	UNIT
SUPPLY VOLTAGE LOGIC	VDD	0	5.25	V
SUPPLY VOLTAGE DRIVER	VSS-V0	0	26	V
INPUT VOLTAGE	VIN	0	VDD	V

工作温度：零下40度到正70度。