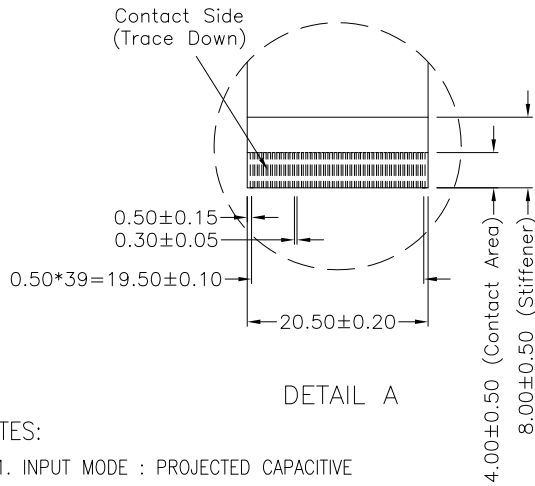
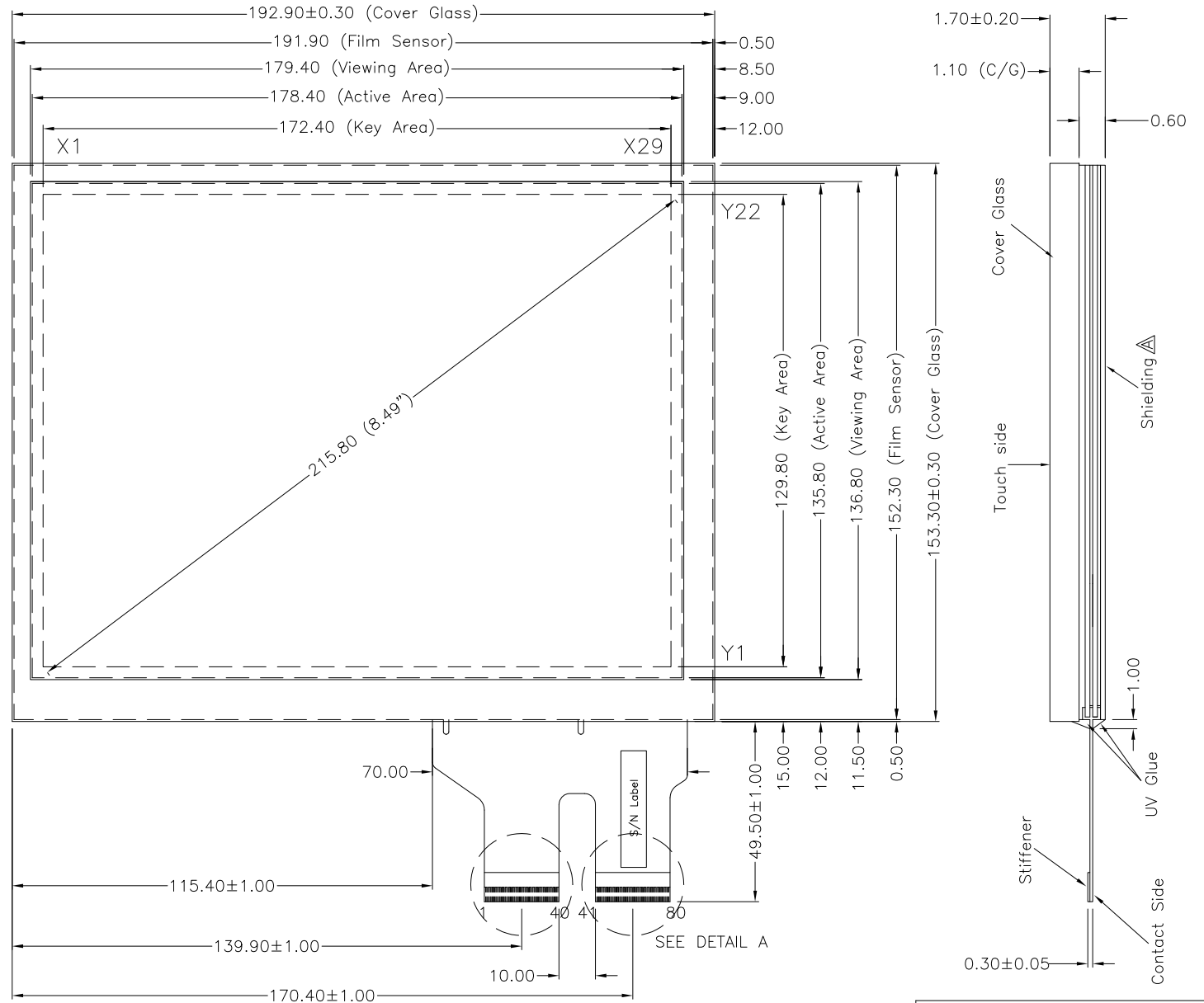


Touch Side View

| CONNECTOR PINOUT | |
|------------------|----------------|
| PIN# | DESIGNATION |
| 1 | Shielding |
| 2-3 | Blank |
| 4 | Grounding Line |
| 5 | Blank |
| 6 | Grounding Line |
| 7 | Blank |
| 8-36 | X1-X29 |
| 37-39 | Blank |
| 40 | Grounding Line |
| 41-51 | Blank |
| 52 | Grounding Line |
| 53 | Blank |
| 54-75 | Y1-Y22 |
| 76-79 | Blank |
| 80 | Grounding Line |



NOTES:

- INPUT MODE : PROJECTED CAPACITIVE
- OVERALL THICKNESS : 1.70±0.20mm
- COVER GLASS THICKNESS : 1.10mm
- FRONT SURFACE : CLEAR TYPE
- TAIL TYPE : GOLD PLATED FPC , ZIF
- RECOMMENDED CONTROL BOARDS : PENMOUNT PM1300 SERIES
- OTHER SPEC : SEE APPROVAL SHEET
- PLEASE REFER TO AMT TOUCH SCREEN INTEGRATION GUIDES FOR SYSTEM MECHANICAL DESIGN AND ASSEMBLY METHODS



| | | | |
|-----------------|---------------|--|---------------|
| A | SEP 22 , 2011 | REMOVED Y AXIS ITO GROUNDING LINE AND EMI SHIELD FILM MODIFY | JERRY |
| NO. | DATE | DESCRIPTION | CHK |
| REVISION | | | |
| CHIEF OF DESIGN | | APPROVED | Jerry |
| ENGINEER | | PROJECT MANAGER | |
| DRAWN BY | Andre | DATE | JUN 24 , 2013 |
| SHT | 1 OF 1 | REV. | A |

| | | |
|-----------------------------|--------|---|
| TOLERANCES UNLESS SPECIFIED | | MODEL NAME : P3007-02 DWG NO : P3007-02-1-011 SCALE: N/S UNIT: mm |
| .X | ± 0.50 | |
| .XX | ± 0.50 | |
| .XXX | ± 0.30 | |
| ANGULAR | . | |

Apex Material Technology Corp.