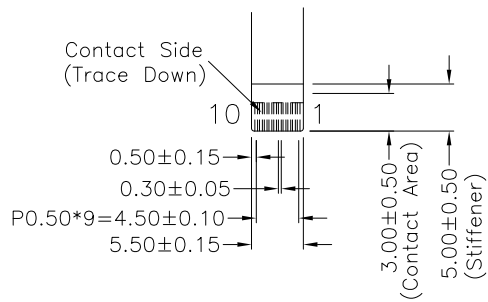
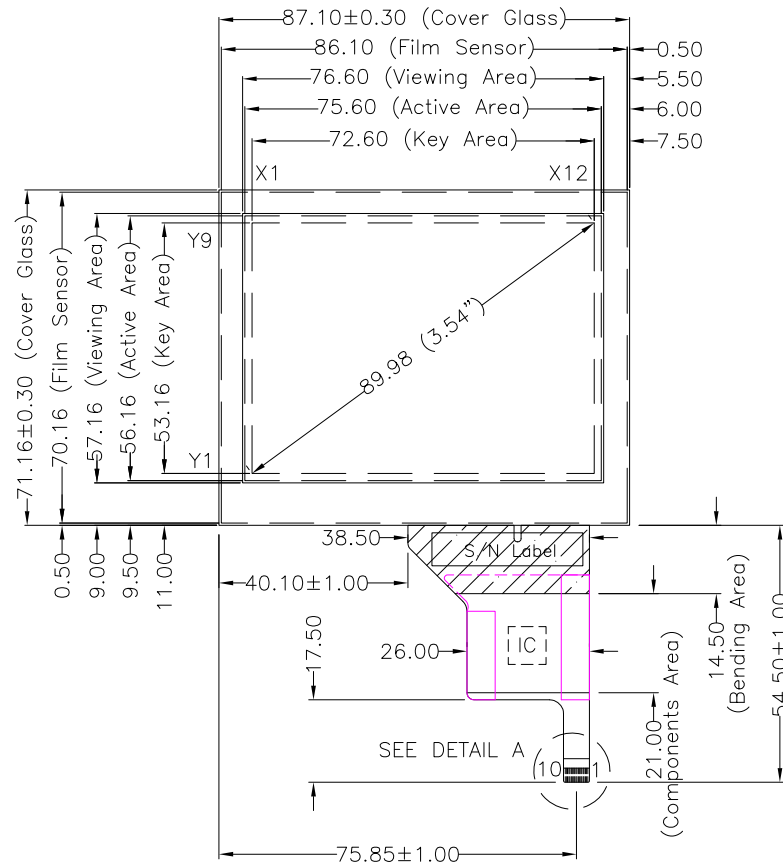
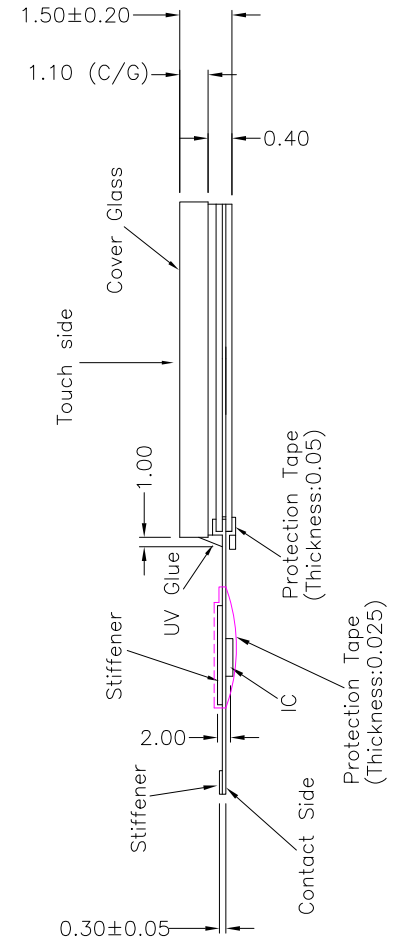


Touch Side View

PIN ASSIGNMENT	
PIN#	DESIGNATION
1	5V
2	NC
3	NC
4	GND
5	SCK1/RXD
6	SDT1/TXD
7	SDO1
8	SS1
9	INTHM
10	NC



DETAIL A



NOTES:

- INPUT MODE : PROJECTED CAPACITIVE
- OVERALL THICKNESS : 1.50±0.20mm
- COVER GLASS THICKNESS : 1.10mm
- FRONT SURFACE : CLEAR TYPE
- TAIL TYPE : GOLD PLATED FPC , ZIF
- OTHER SPEC : SEE APPROVAL SHEET
- PLEASE REFER TO AMT TOUCH SCREEN INTEGRATION GUIDES FOR SYSTEM MECHANICAL DESIGN AND ASSEMBLY METHODS



NO.	DATE	DESCRIPTION	CHK
REVISION			
CHIEF OF DESIGN		APPROVED	Jerry
ENGINEER		PROJECT MANAGER	
DRAWN BY	Andre	DATE	MAY 20, 2013
SHT	1 OF 1	REV.	0

Apex Material Technology Corp.			
TOLERANCES UNLESS SPECIFIED		MODEL NAME : P3001-C2	
.X	± 0.50	DWG NO : P3001-C2-0-013	
.XX	± 0.50	SCALE: N/S UNIT: mm	
.XXX	± 0.30		
ANGULAR	.		