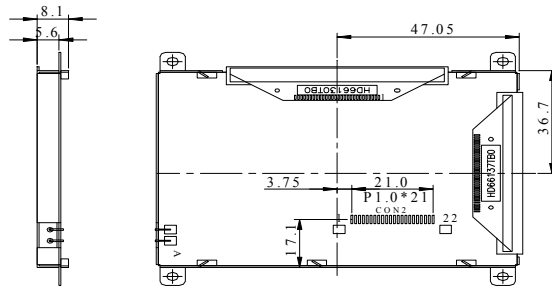
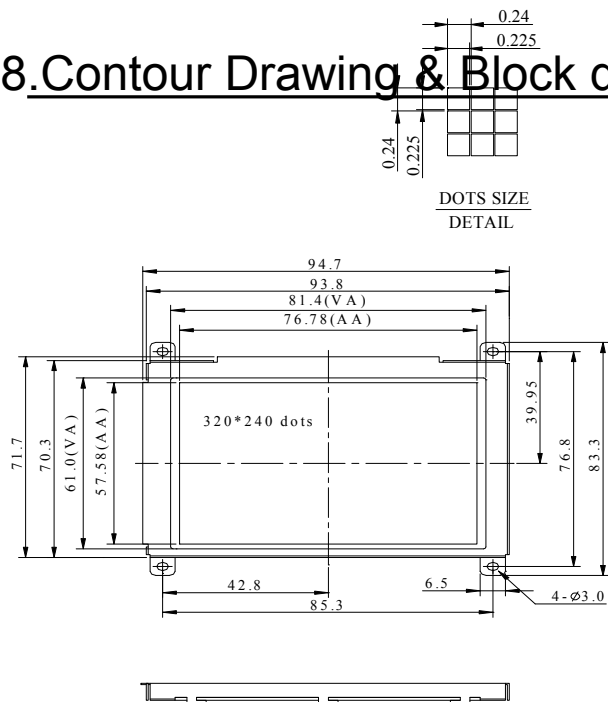


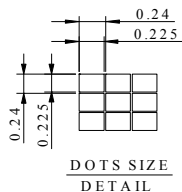
21	DOFF
22	BUSY

8. Contour Drawing & Block diagram

The non-specified tolerance of dimension is 0.2mm .



CON2	
PIN NO.	SYMBOL
1	VSS
2	VDD
3	VO
4	A0
5	WR
6	RD
7	DB0
8	DB1
9	DB2
10	DB3
11	DB4
12	DB5
13	DB6
14	DB7
15	CS
16	RES
17	VEE+
18	SEL1
19	A
20	K
21	DOFF
22	BUSY



The non-specified tolerance of dimension is 0.2mm .

