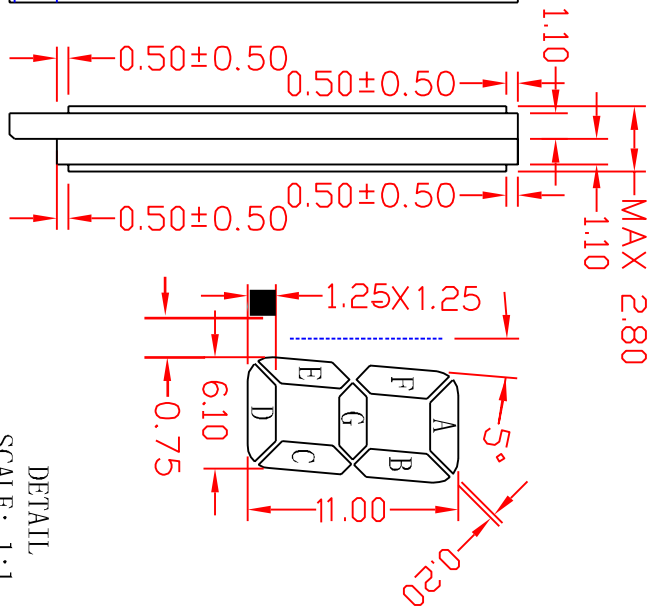
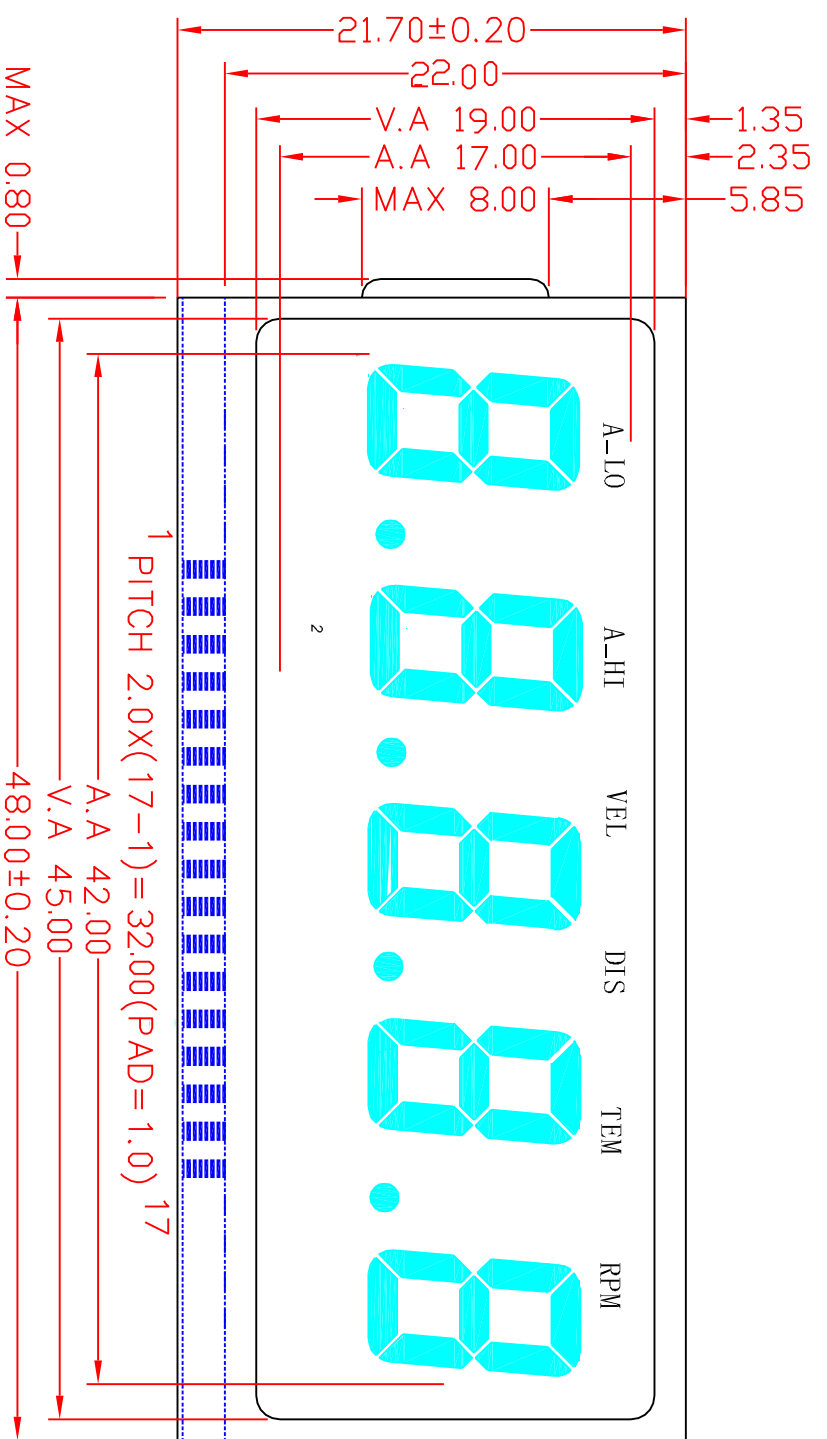


Rev.No	Revision Note	Date	Signature	Checked by
A1				



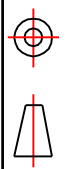
NOTE:

1. ALL DIMENSION ARE IN mm.
2. GLASS THICKNESS
FRONT -- 1.10
BACK -- 1.10
3. VIEWING ANGLE: 6 O'CLOCK
4. LCD SPECIFICATIONS:
MULTIPLEX LEVEL -- 1/4 DUTY 1/3 BIAS
DRIVING VOLTAGE: 3.3V
OPERATING TEMPERATURE: 0 ° C TO 50 ° C
STORAGE TEMPERATURE: -10 ° C TO 60 ° C
5. TN GRAY REFLECTIVE POSITIVE MODE
6. CONNECTION: HEAT SEAL

DETAIL
SCALE: 1:1

A-L0 1.94
黑色丝印

LCD CO.,LTD		Title		Date	Sheet
		GLASS			
Designed by	WZF	Dwg NO:	uETM8807K1-G+VER1		
Checked by	WZF	Material	SiO2+ITO	Tolerance	Unit
			±0.10	mm	Scale
Drawn by	WZF	Approved by - Date	WGL		



北京中显电子有限公司 010-82626833