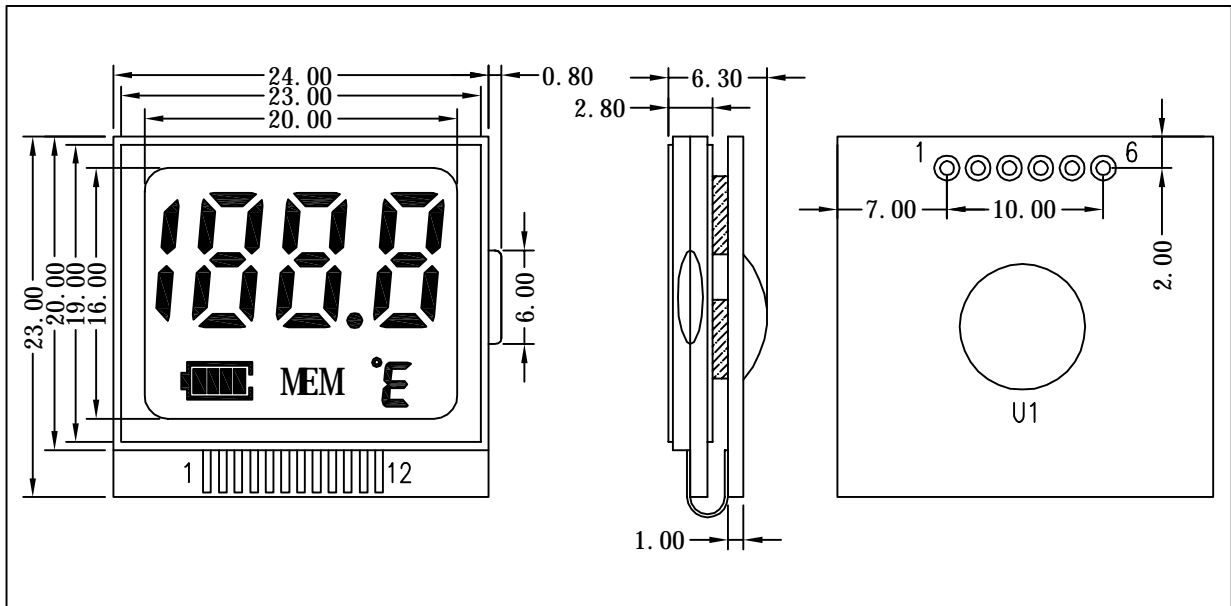


OUTLINE DIMENSIONS

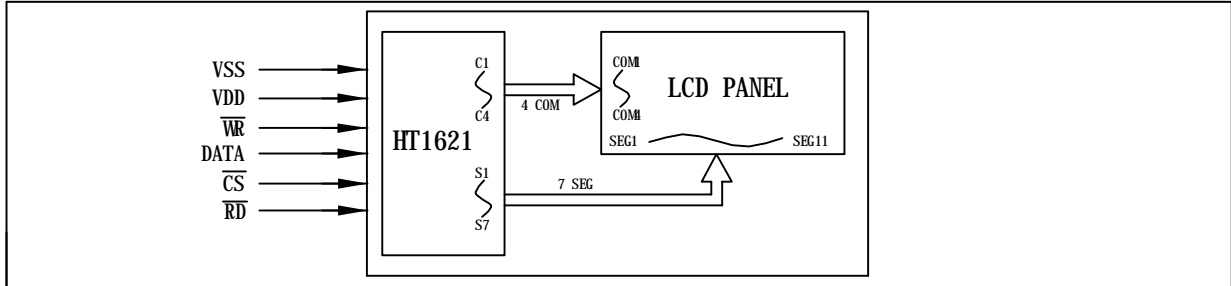
北京中显电子有限公司

010-82626833

1/4 DUTY, 1/3 BIAS
SEG-COB



BLOCK DIAGRAM & POWER SUPPLY



MECHANICAL SPECIFICATIONS & FEATURE

| item | Normal Dimensions(mm) | Feature | |
|--------------------|-----------------------|-----------------------|---------------|
| Module Size(W*H*T) | 24.0x23.0x6.3MAX | LCD Type | TN |
| View Area(W*H) | 20.0x16.0 | LCD Colour | TN:Gray |
| DotsxDots(W*H) | --- | View Angle | 6 O'clock |
| Dot Pitch(W*H) | --- | Display Type | Positive Type |
| Dot Size(W*H) | --- | Rear Polarizer | Reflective |
| --- | --- | Operating Temperature | -20°C - +70°C |
| --- | --- | Backlight | |

ELECTRICAL CHARACTERISTICS

| item | Symbol | Test Condition | Min. | Type. | Max. | Unit |
|------------------------------|--------|-------------------|------|-------|------|------|
| Operating Voltage | Vdd | Ta=25°C | --- | 3.0V | --- | V |
| Operating Voltage for LCD | Vlcd | Ta=25°C | --- | 3.0V | --- | V |
| Supply Current | Idd | Ta=25°C, Vdd=5.0V | --- | 2.0 | 3.0 | mA |
| Supply Current for Backlight | If | Ta=25°C, Vf=3.0V | --- | --- | --- | mA |

INTERFACE PIN CONNECTIONS

| Pin No. | Symbol | Level | Description |
|---------|--------|-------|--|
| 1 | VSS | L | Ground for Logic (0V) |
| 2 | VDD | H | Power supply for Logic (+3.0V) |
| 3 | WR | L | Write clock input |
| 4 | RD | H | Read Signal |
| 5 | CS | L | Chip selection input with pull-high resistor |
| 6 | DATA | H/L | Serial data input/output |

REMARK

- 1.Negative type LCD colour : Blue
- 2.File Version:01