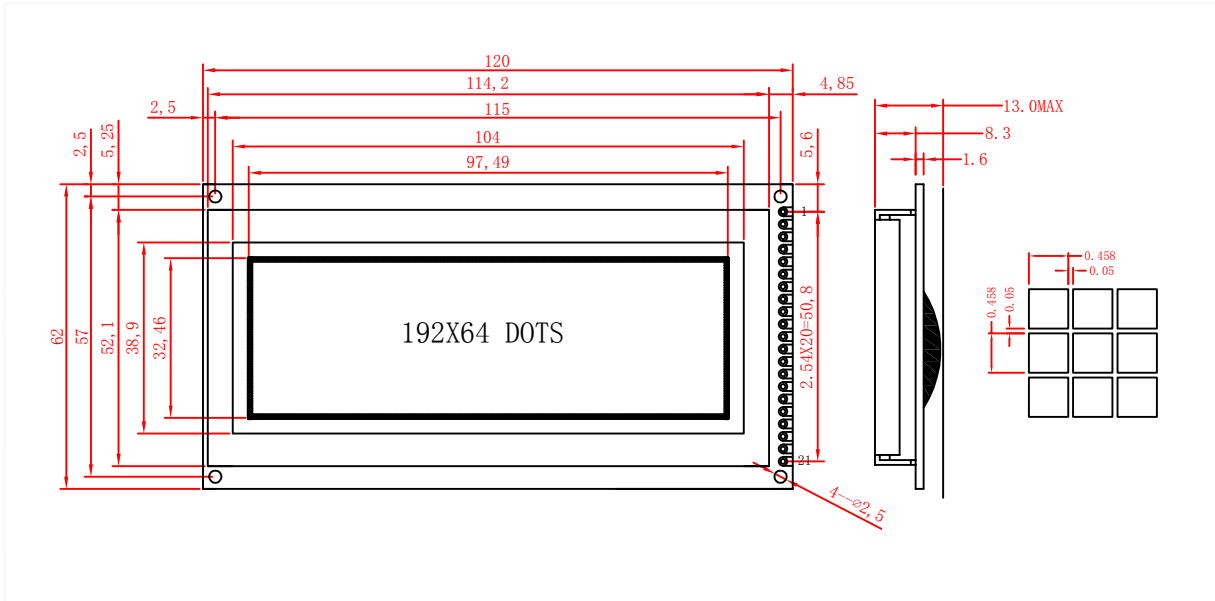


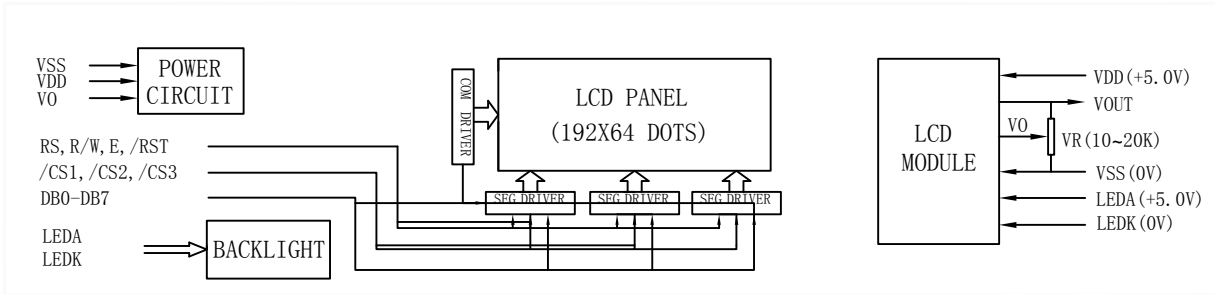
ZX19264D-1 Series

192X64 DOTS
1/64 DUTY, 1/9 BIAS

OUTLINE DIMENSIONS



BLOCK DIAGRAM & POWER SUPPLY



MECHANICAL SPECIFICATIONS & FEATURE

LTEM	NORMAL DIMENSIONS (MM)	FEATURE	
MODULE SIZE (W*H*T)	120.0 X 62.0 X 13.0	LCD TYPE	STN FSTN
VIEW AREA (W*H)	104.0 X 38.9	LCD COLOUR	STN:BLUE, GRAY FSTN:GRAY
DOTSXDOTS (W*H)	192 X 64	VIEW ANGLE	6 O' CLOCK, 12 O' CLOCK
DOT PITCH (W*H)	0.508 X 0.508	DISPLAY TYPE	POSITIVE TYPE, NEGATIVE TYPE
DOT SIZE (W*H)	0.458 X 0.458	REAR POLARIZER	TRANSMISSIVE, REFLECTIVE, TRANSFLECTIVE
---	---	OPERATING TEMPERATURE	-10°C ~ 60°C -20°C ~ 70°C
---	---	BACKLIGHT	LED:WHITE EL:GREEN, BLUE-GREEN, BLUE WITHOUT

LECTRICAL CHARACTERISTICS

LTEM	SYMBOL	TEST CONDITION	MIN	TYP	MAX	UNIT
OPERATING VOLTAGE	VDD	Ta=25°C	---	5.0	---	V
OPERATING VOLTAGE FOR LCD	VLCD	Ta=25°C	---	10.5	---	V
SUPPLY CURRENT	IDD	Ta=25°C, VDD=5.0V	---	2.0	3.0	MA
SUPPLY CURRENT FOR BACKLIGHT	IF	Ta=25°C, VF=4.2V	---	180	---	MA

PIN CONNECTION

PIN NO	SYMBOL	LEVEL	DESCRIPTION
1	VSS	---	GROUND FOR LOGIC
2	VDD	---	POWER SUPPLY FOR LOGIC
3	VO	---	POWER SUPPLY FOR LCD DRIVE
4	VOUT	---	NEGATIVE VOLTAGE OUTPUT
5	RS	H/L	REGISTER SELECT (H:DATA REGISTER, L:INSTRUCTION REGISTER)
6	R/W	H/L	READ/WRITE SELECTION (H:READ, L:WRITE)
7	E	H/H→L	ENABLE SIGNAL FOR LCM
8-15	DB0-DB7	H/L	DATA BUS LINES
16	/CS1	L	CHIP1 SELECT SIGNAL
17	/CS2	L	CHIP2 SELECT SIGNAL
18	/CS3	L	CHIP3 SELECT SIGNAL
19	/RST	L	RESET SIGNAL
20	LEDA	---	POWER SUPPLY FOR BACKLIGHT(+)
21	LEDK	---	POWER SUPPLY FOR BACKLIGHT(-)

REMARK