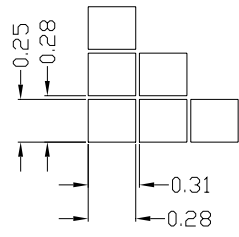
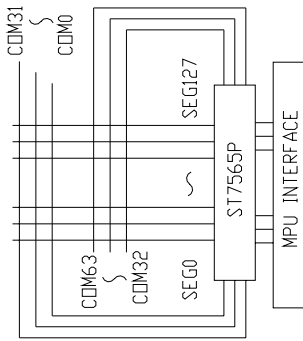
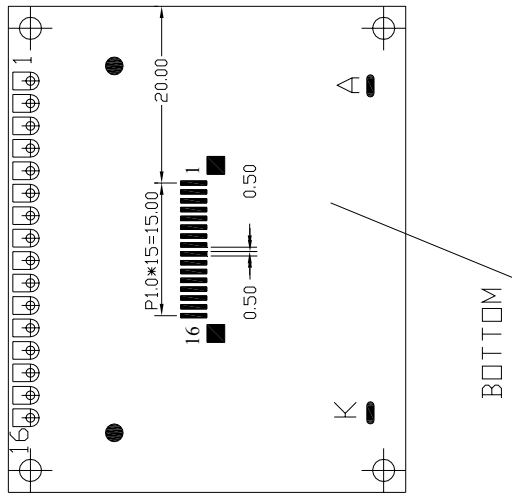


Pin	Pin Description
1	DB0
2	DB1
3	DB2
4	DB3
5	DB4
6	DB5
7	DB6<SCL>
8	DB7<SI>
9	VDD
10	VSS
11	LED+
12	/CS
13	/RESET
14	A0
15	/WR<R/W>
16	/RD<E>



DOTS DETAIL



ZX12864-13模组

LCD TYPE: STN Y/G GREY BSTN FSTN
 LCD DRIVER: ST7565P
 BACK LIGHT: LED (YELLOW GREEN or WHITE or BLUE)
 OPERATING TEMP: -20 ~+70
 STORAGE TEMP: -30 ~+80

DUTY: 1/64
 BIAS: 1/9
 Vop: 9.0V
 O'CLOCK: 6:00