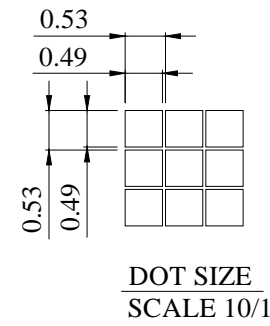
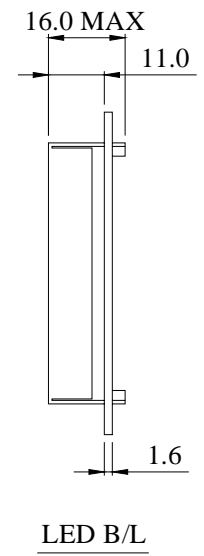
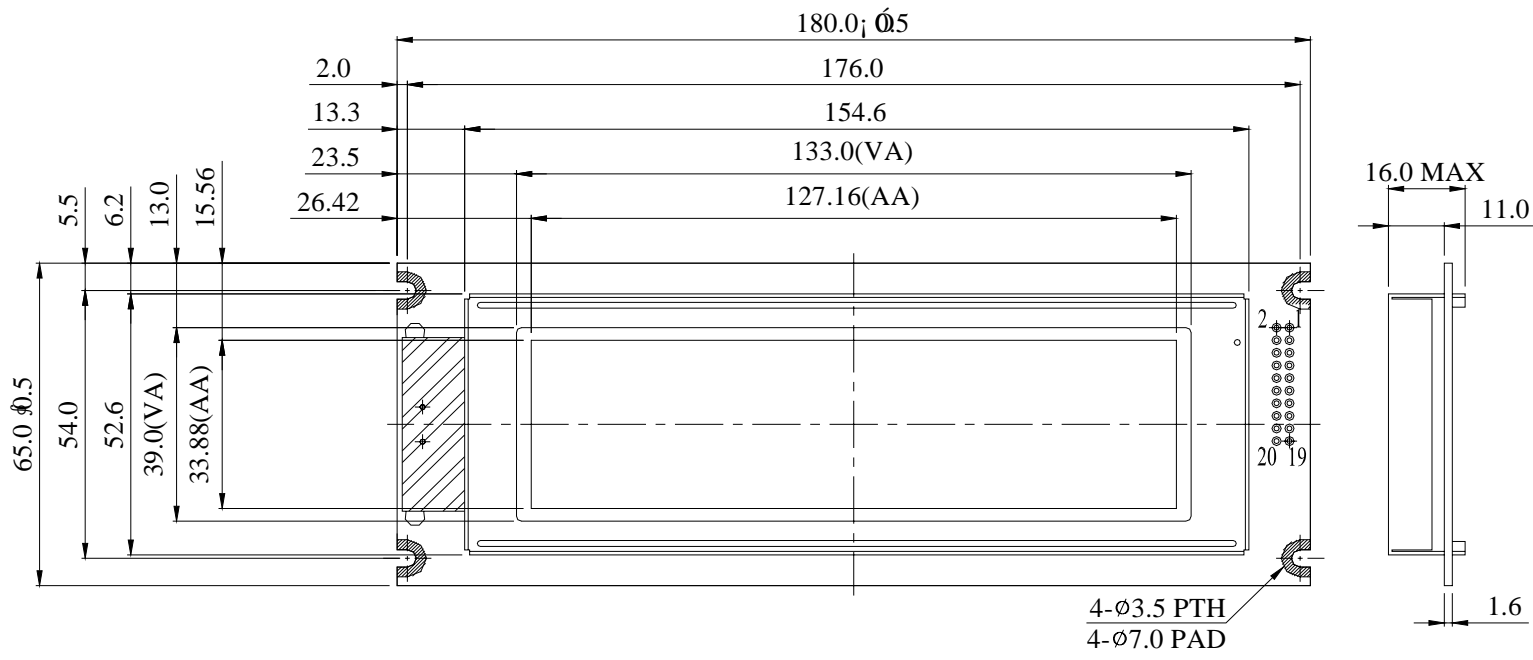


Pin No.	Symbol	Level	Description
1	A	—	Power Supply For LED +
2	V _{ss}	—	GND
3	V _{dd}	—	Power supply
4	V _o	—	Power supply for LCD driver
5	/WR	L	Data write. Write data into RA8820 when WR = L
6	/RD	L	Data read. Read data from RA8820 when RD = L
7	/CE	L	L : Chip enable
8	C/D	H / L	WR=L , C/D=H : Data write C/D=L: Command Write
9	V _{ee}	—	Negative voltage output
10	/RESET	H / L	H : Normal ; L : Initialize RA8820
11	DB0	H / L	Data bus line
12	DB1	H / L	Data bus line
13	DB2	H / L	Data bus line
14	DB3	H / L	Data bus line
15	DB4	H / L	Data bus line
16	DB5	H / L	Data bus line
17	DB6	H / L	Data bus line
18	DB7	H / L	Data bus line
19	BUSY	H / L	Active high or low busy signal. The RA8820 can't be access when BUSY pin is high. It's should be connected to MPU I/O input. The MPU have to poll this pin before accessing RA8820.
20	INT	—	Active high or low Interrupt signal



PIN NO.	SYMBOL
1	A
2	Vss
3	Vdd
4	Vo
5	WR
6	RD
7	CE
8	C/D
9	Vee
10	RESET
11	DB0
12	DB1
13	DB2
14	DB3
15	DB4
16	DB5
17	DB6
18	DB7
19	BUSY
20	INT