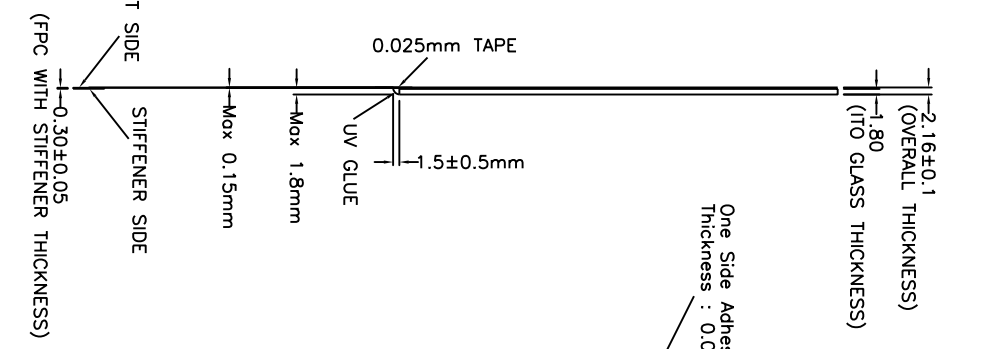
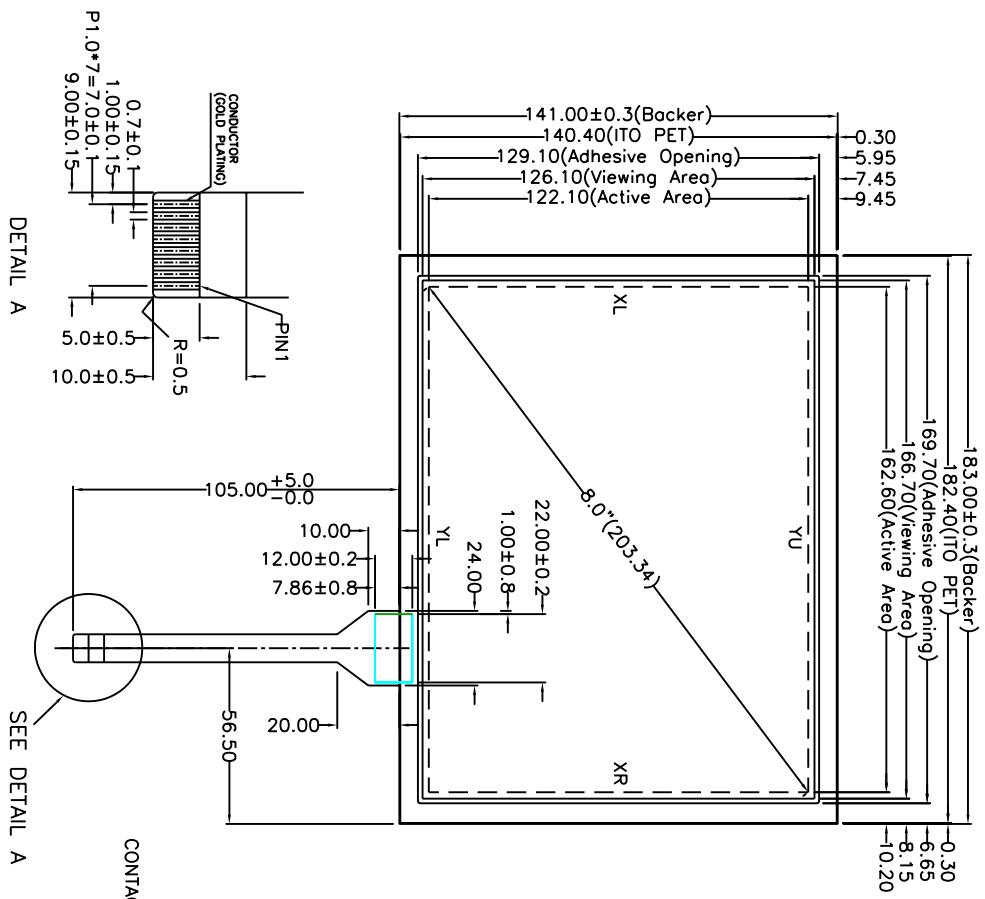
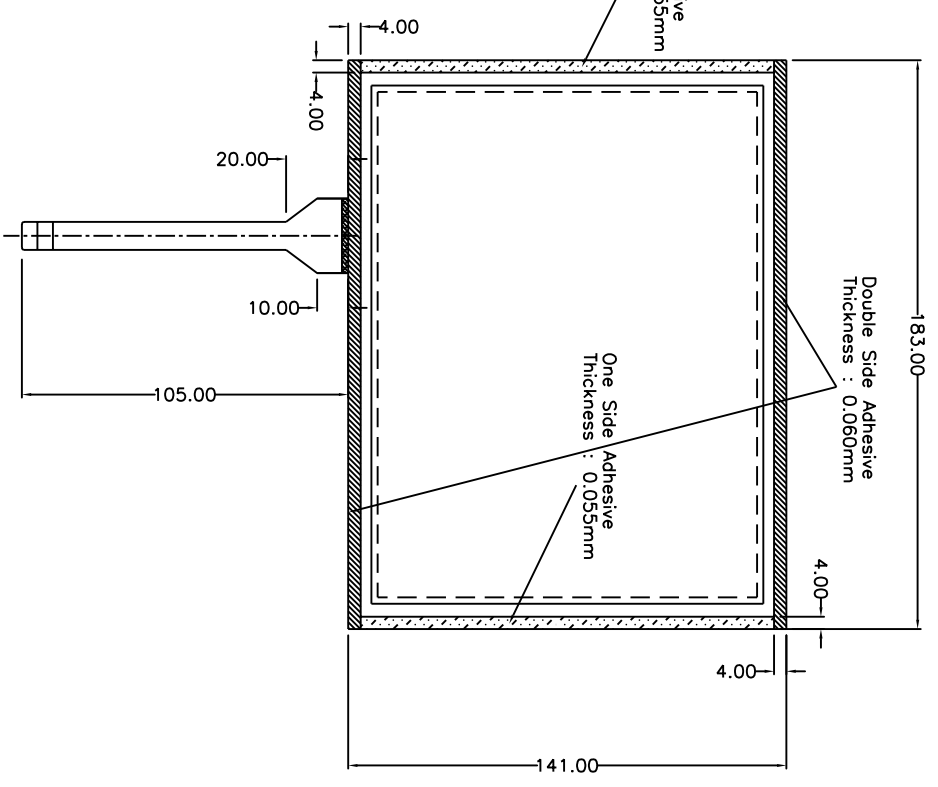


FRONT SIDE



REAR SIDE



NOTES:

1. ITO GLASS THICKNESS : 1.80mm
2. OVERALL THICKNESS : 2.16 ±0.10mm
3. CONNECTOR AND PINOUT AS INDICATED
4. FRONT SURFACE : ANTI-GLARE HARDCOAT
5. OTHER SPEC : SEE APPROVAL SHEET
6. LAYER TO LAYER ASSEMBLY TOLERANCE: ±0.50mm
7. TAIL TYPE : FPC

北京中显电子有限公司
 电话 : 010-52926620
 现货库存, 欢迎垂询

Pin#	Assignment
1	YL
2	YLref
3	YUref
4	YU
5	XR
6	XL
7	XLref
8	XRref

NO.	DATE	DESCRIPTION	CHK
REVISION			
		APPROVED	Alex
		DRAWN BY	Jerry
		DATE	JUNE 30,2005
SHT	1 OF 1	REV.	

TOLERANCES UNLESS SPECIFIED	PROJECT NAME : GK80
.X	± 0.50
.XX	± 0.50
.XXX	± 0.30
ANGULAR	
SCALE: 1:1	UNIT: mm