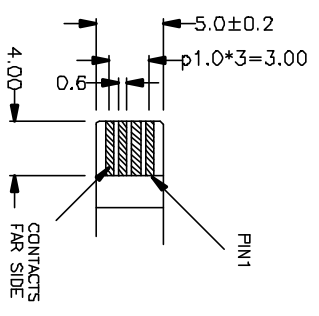
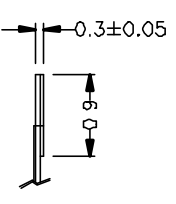


FRONT VIEW

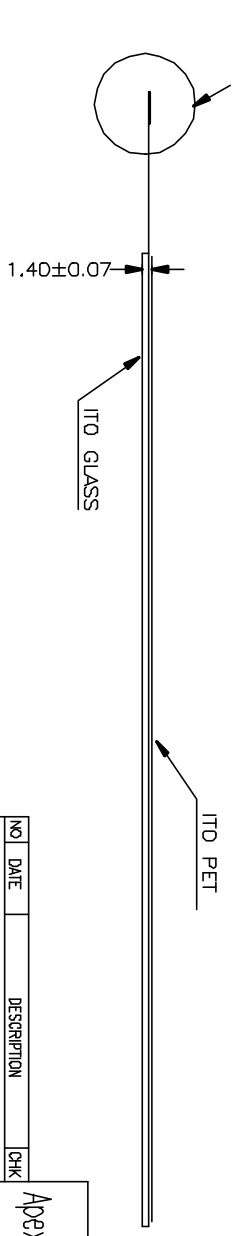
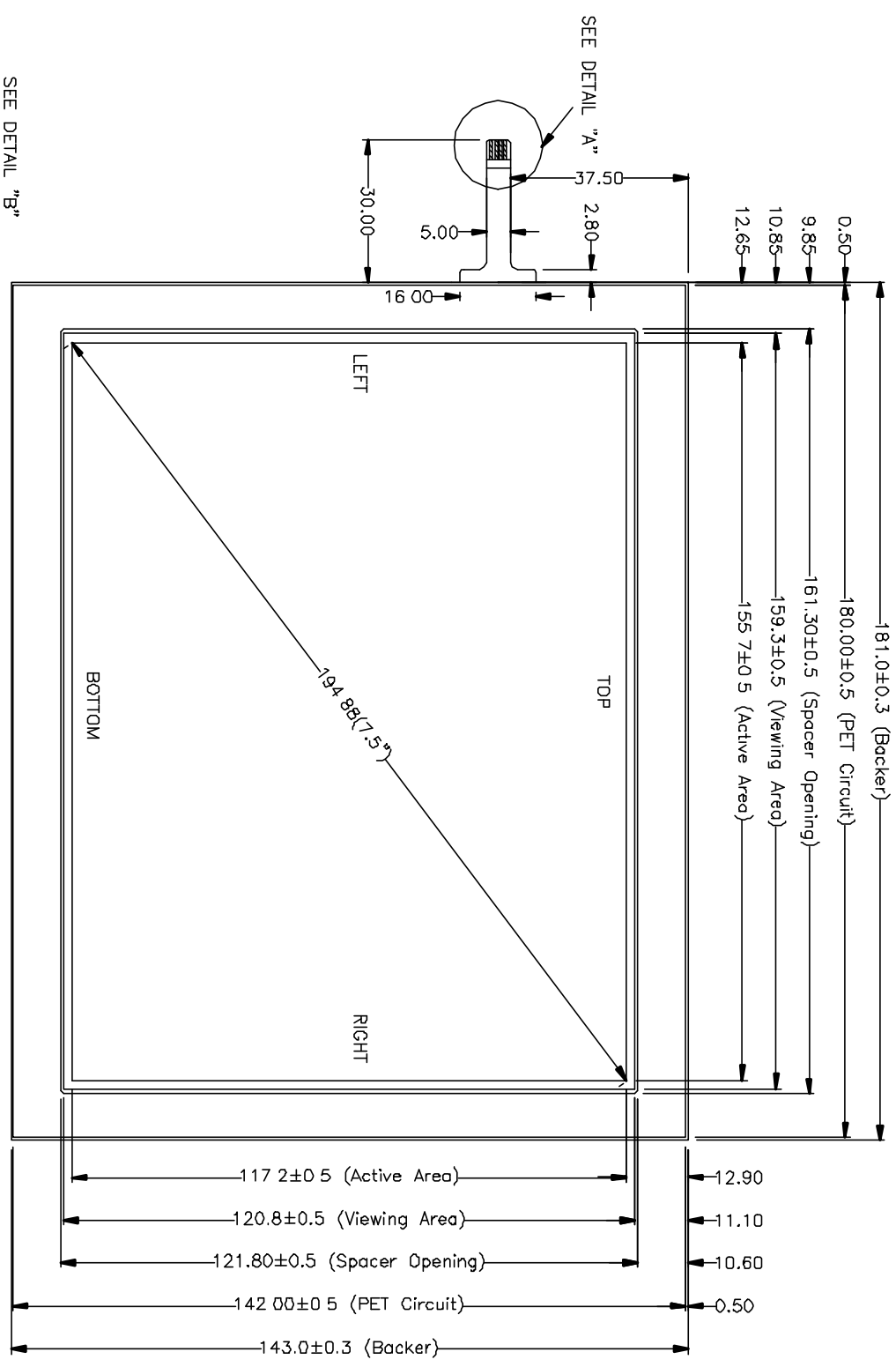
Pin #	Assignment
1	TOP
2	BOTTOM
3	LEFT
4	RIGHT



DETAIL A



DETAIL B



NOTES:

1. ITO GLASS THICKNESS : 1.1mm
2. ITO PET TOP CIRCUIT THICKNESS : 0.2mm
3. SPACER ADHESIVE : 0.1mm
4. OVERALL THICKNESS : 1.40mm ±0.07
5. CONNECTOR AND PINOUT AS INDICATED
6. FRONT SURFACE ANTI-GLARE HARDCOAT
7. OPTICAL SPECIFICATION : A001
8. LAYER TO LAYER ASSEMBLY TOLERANCE: ±0.3mm
9. FPC TAIL

北京中显电子有限公司
 电话：010-52926620
 现货库存，欢迎垂询

NO	DATE	DESCRIPTION	CHK
REVISION			
CHIEF OF DESIGN		APPROVED	
ENGINEERS		HECKED NUMBER	
DRAWN BY	Alex	DATE	OCT 25, 2001
SHT	1 OF 1	REV	

Apex Material Technology Corp.

TOLERANCES UNLESS SPECIFIED		PROJECT NAME : 9515
X	± 0.50	DWG NO 9515-0-01
XX	± 0.50	
XXX	± 0.70	
ANGULAR		SCALE 1:1 UNIT mm